



Touch Panel for C-Bus®

For Use with C-Bus Automation Controllers

Ethernet Touch Panel

Introducing

- New Ethernet Touch Panel
- Tailored hardware solution for automation and lighting control applications
- Suits Ethernet based solution architecture
- Provides visualisation (user interface) for C-Bus
 - For use with C-Bus Automation Controllers
- Allows users to easily and conveniently monitor and control C-Bus from a central location
 - Alongside PCs, tablets and mobile devices



Life Is On

CLIPSAL
by Schneider Electric

Ethernet Touch Panel

What is it?

- 10" touch panel
- Colour screen
- Powered by DC power supply or PoE hardware
- Hardwired Ethernet connectivity (no Wi-Fi)
- Flush mount or surface mount installation options
- Includes White fascia

Accompanied by...

- Wall box for mounting in solid and cavity walls



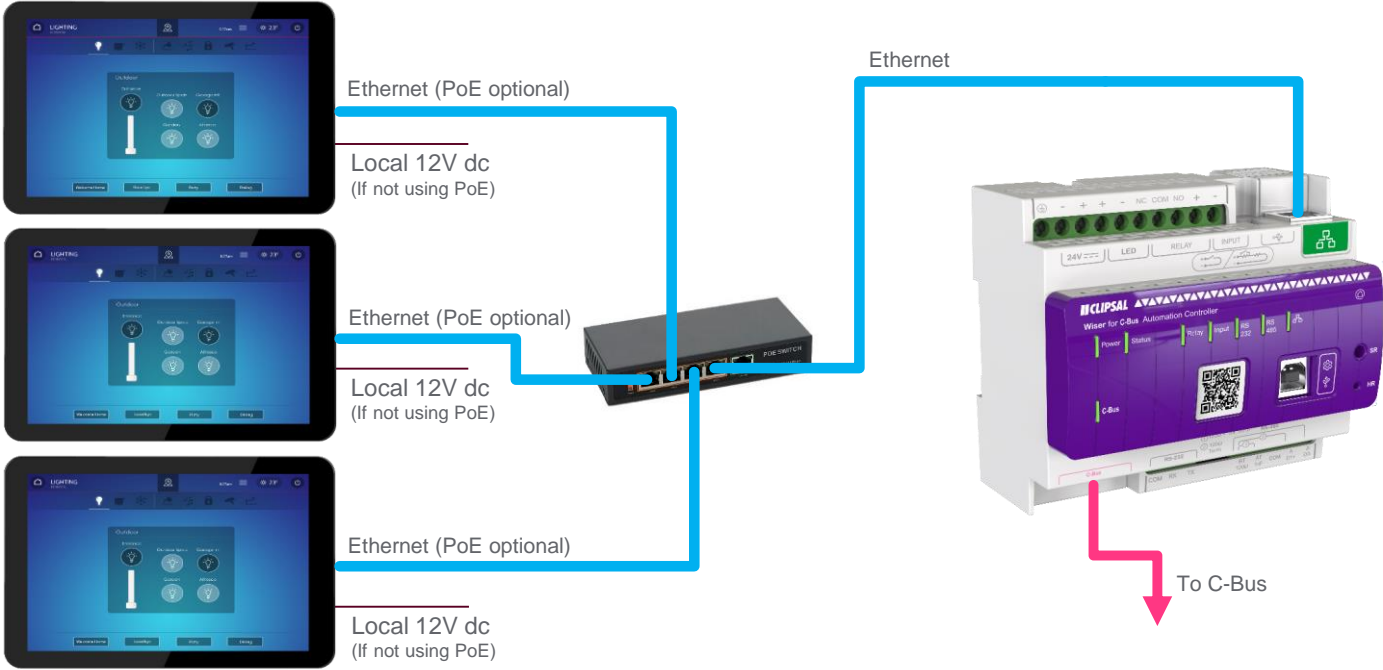
*Ethernet Touch Panel with White fascia
installed into Ethernet Touch Panel Wall Box*

Life Is On

CLIPSAL
by Schneider Electric

Ethernet Touch Panel

Solution diagram



Life Is On



Ethernet Touch Panel

In the box...

- 10" Ethernet Touch Panel
- + White fascia
- + Surface mount bracket
- + Desktop stand



Product reference:

5000ETP10W



Purchased separately...

- Wall Box
- Power Supply (plug pack or inline)



5000ETP10WB



TBA (Q1 2018)



Ethernet Touch Panel

Specifications - Overview

Description	Specification
Diagonal screen size	10.1 inch
Panel resolution	1280 x 800 pixels
Brightness	300 cd/m ²
Contrast ratio (typical)	800:1
Aspect ratio	16:9
Power supply (DC or PoE)	12 Vdc (+/- 5%), 1.5 A PoE (802.3af), 15 W
Standby power consumption	<0.5 W
Power consumption	6 W (typical)
Temperature range (operation)	0 ~ 40 °C



Life Is On

CLIPSAL
by Schneider Electric

Ethernet Touch Panel

Available assets (coming soon)



- Product data sheet
- Installation instructions (touch panel)
- Installation instructions / mounting template (wall box)
- Configuration guide



DRAFT Life Is On **CLIPSAL**
by Schneider Electric

Ethernet Touch Panel


Suits C-Bus Automation Controllers

Product Data Sheet

Ethernet Touch Panel

The Ethernet Touch Panel is an in-wall device providing the visualization capabilities user interface for the C-Bus Automation Controllers. Available for wall and rack products, the Ethernet Touch Panel is perfectly suited to the Ethernet based solution architecture as required by the new C-Bus Automation Controllers.

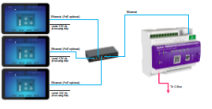
Featuring a 10.1 inch colour screen, the Ethernet Touch Panel allows users to easily and conveniently monitor and control their C-Bus system from a central location.



The Ethernet Touch Panel is powered by an external 12 Vdc power supply with (purchased separately). The panel also supports power over Ethernet (PoE) for single cable operation.

The Ethernet Touch Panel is easily mounted into wall or ceiling walls using the custom-made wall box (purchased separately). The custom touch supported with the Ethernet Touch Panel consists of the Plateboard mounting in wall, wall box.

The Ethernet Touch Panel is also supplied with a surface mount bracket for installation directly onto wall surfaces.



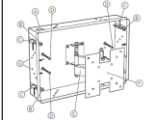
THIS INSTRUCTION IS ALSO THE CUT-OUT TEMPLATE: DO NOT DISCARD

Schneider Electric Touch Panel Wall Box 0000ETP100WS

Installation Instructions

! DANGER

SHOCK HAZARD OF ELECTRIC SHOCK
Always de-energize the system before working on the device.
Always observe the wall box and wall box cover.
Always follow these instructions well enough to install in correct order.



- 1. Cable access hole
- 2. Changing cover
- 3. Changing wire
- 4. Touch panel step cover
- 5. Touch panel mounting hole
- 6. Touch panel mounting plate
- 7. Wall mounting hole

- 1. Creating the cut-out**
 - 1. Verify the requirements of the integration system, then proceed to the steps of the panel to make it cut-out.
 - 2. Create the cut-out in the wall. The finished cut-out should be 100 mm (4 in) wide x 120 mm (4.7 in) high, with a max. depth of 65 mm (2.6 in).
- 2. Preparing the touch panel cables**
 - 1. Strip the touch panel conductors for required length.
 - 2. Route the cables to the touch and terminate with appropriate connections.
- 3. Installing the wall box**
 - 1. Mount the wall box into the cut-out.
 - 2. Tighten the screws to secure the wall box.
- 4. Installing the touch panel**
 - 1. Slide the touch panel into the wall box.
 - 2. Push the panel into the touch and terminate with appropriate connections.
- 5. Installing the touch panel fascia**
 - 1. Mount the fascia into the wall box.
 - 2. Tighten the screws to secure the fascia.

NOTICE

Panel of cable conductors
The panel of cable conductors is not to be used for other than the intended purpose.
The panel of cable conductors is not to be used for other than the intended purpose.

Wall Box is supplied with the touch panel.

THIS INSTRUCTION IS ALSO THE CUT-OUT TEMPLATE: DO NOT DISCARD

Life Is On

CLIPSAL
by Schneider Electric



Thank you!

Enjoy your day!

