



www.diginet.net.au

Load Bypass Device

Improved dimming performance for problematic LED and CFL lamps



Range

MMBP

Overview

The Diginet Load Bypass Device is designed to provide improved dimming and switching performance of some problematic LED and CFL lamps. The device can overcome the following issues which are occasionally seen when controlling some LED or CFL light sources via electronic dimmers, switches, timers or sensors:

- When switched off, the LED/CFL lights flicker, pulse on/off or do not switch off completely
- When switching on, the LED/CFL lights have difficulty turning on and the dimmer indicators flicker or pulse.

These issues can be encountered when controlling some LED/CFL lighting loads with the following control devices:

- Non-separately switched 2-wire (Active, Load) dimmers, electronic switches, timers or sensors
- Some 3-wire (Active, Load, Neutral) electronic dimmers, electronic switches, timers or sensors
- Mechanical air gap switches. Although not typical, some electronic load types, such as non-dimmable CFLs, can be sensitive to the off-state leakage current associated with mains wiring capacitance. Therefore, even when controlled with a mechanical air gap switch the lights can occasionally be seen to flicker when switched off.

The Load Bypass Device is wired in parallel with the load and can be retrofitted to existing lighting installations.

Features

Allows up to 4 Diginet LEDsmart⁺ devices to be added to a circuit without impacting load compatibility

Small and light-weight enabling easy retrofit and new installation

Line powered – draws only 2mA from a DALI Line

Independent of maximum connected load

Supplied with pre-terminated leads

Crimped terminations on lead for reliable connection to load

Shunts leakage current away from the connected lighting load

Intrinsically thermally and electrically safe



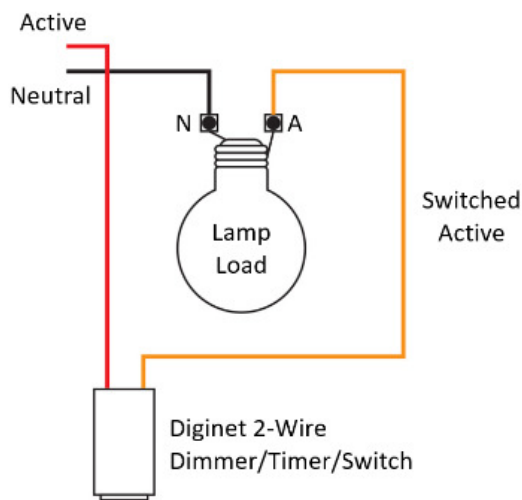
Specifications

Parameter	Specification
Operating Voltage	220-240Vac 50Hz
Power Dissipation	100mW (Note: The device power dissipation is independent of the connected lighting load power)
Max Ambient Temperature	$t_{a,max} = 70^{\circ}\text{C}$
Operating Humidity	10% - 95% RH, non-condensing
Standards Compliance	AS/NZS CISPR15:2011 AS/NZS 61347-2-11:2003 IEC 61347-2-11
Dimensions	49mm x 15mm x 11mm
Weight	25g
Connection Lead Type	Two core, double insulated, crimped ends Switched Active and Neutral connections
Connection Lead Length	300mm
Maximum wiring length	The load bypass device is independent of the wiring length
Maximum Load	The load bypass device is independent of load connected to the control device(s)

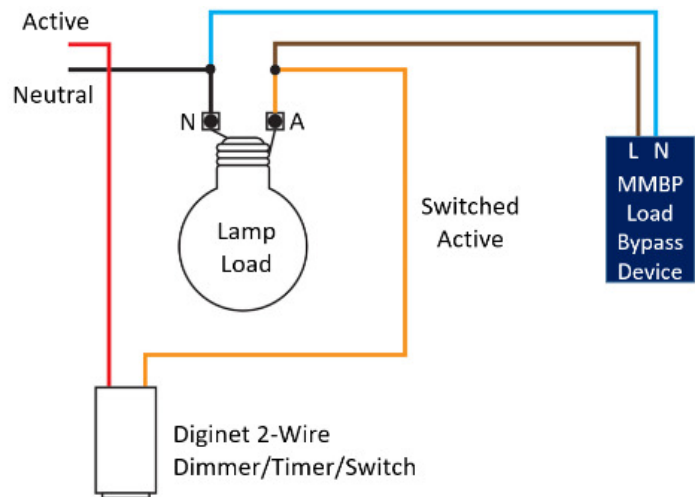
Wiring

The Load Bypass Device is wired in parallel with the load (across the switched Active and Neutral). It is typically connected as shown in the diagrams below.

2-wire dimmer example



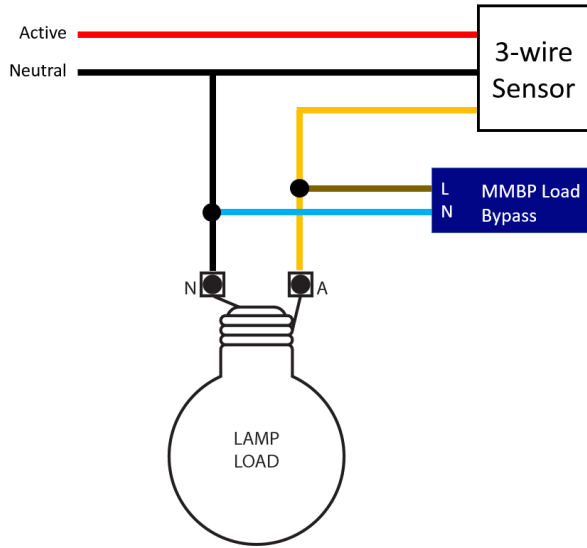
Before Load Bypass Device Installation



After Load Bypass Device Installation



3-wire sensor example



Approvals & Compliance

IP20



CONTACT INFORMATION

Web: www.diginet.net.au
 General Enquiries: 1300 95 DALI (3254) sales@diginet.net.au
 Technical Services: 1300 95 3244 support@diginet.net.au
 Fax: 1300 95 3257

PRODUCT OF GERARD LIGHTING PTY LTD

ABN – 94 122 520 307
 96-112 Gow Street
 Padstow NSW 2211

DIGINET IS A BRAND OF GERARD LIGHTING GROUP

The product includes a **TWO-YEAR WARRANTY** against manufacturing defects. Fully warranty terms can be found here www.diginet.net.au
COPYRIGHT. ©This document is copyright to Gerard Lighting Pty Ltd. Except as permitted under relevant law, no part of this user and installation guide may be reproduced by any process without written permission of and acknowledgement to Gerard Lighting. **DISCLAIMER.** Gerard Lighting Pty Ltd reserves the right to alter the specifications, designs or other features of any items and to discontinue any items at any time without notice and without liability. While every effort is made to ensure that all information in this user and installation guide is correct, no warranty of accuracy is given and Gerard Lighting shall not be liable for any error. **TRADEMARKS.** The identified trademarks and copyrights are the property of Gerard Lighting Pty Ltd unless otherwise noted.