



M25 – Professional Allround Camera

- **High-Performance Dome Camera For Indoor And Outdoor Use**
Applicable as day or night system with detailed 6MP color or B/W Sensor
- **Wide Lens Variety From 180° Fisheye To 8° Super Tele**
The right lens and sensor combination for each application
- **Intelligent 3D Motion Detection And Video Analysis**
MxActivitySensor and MxAnalytics integrated as standard
- **Reduced Energy Costs**
Power consumption < 5 W, standard PoE
- **Virtually Maintenance-Free (IP66)**
Weatherproof, operates reliably from -30 to 50°C

Technical Specifications

MOBOTIX M25 Allround



Camera Variants	M25 Body Day Or Night Lens For Self-Assembly	M25 Day Complete Camera	M25 Night Complete Camera
Specialties	M25 Body with 6MP Day or Night sensor MX-M25-BOD1 or MX-M25-BOD1-N ; all lenses (except MX-B016) available separately for self-assembly	Factory-assembled M25 Day or Night cameras with sharply focused lens (only fisheye lens variants available in the Americas)	
Lenses	M25 Body Day Or Night Lens For Self-Assembly	M25 Day Complete Camera	M25 Night Complete Camera
Fisheye-Objektiv MX-B016 (f/2.0, 180° x 180°)	Not for M25 Body	MX-M25-D016	MX-M25-N016
Ultraweitwinkel-Objektiv MX-B036 (f/1.8, 103° x 77°)	Lens selection for M25 Body Day/Night Body Day: MX-M25-BOD1 Body Night: MX-M25-BOD1-N	MX-M25-D036	MX-M25-N036
Superweitwinkel-Objektiv MX-B041 (f/1.8, 90° x 67°)		MX-M25-D041	MX-M25-N041
Weitwinkel-Objektiv MX-B061 (f/1.8, 60° x 45°)		MX-M25-D061	MX-M25-N061
Standard-Objektiv MX-B079 (f/1.8, 45° x 34°)		MX-M25-D079	MX-M25-N079
Teleobjektiv MX-B119 (f/1.8, 31° x 23°)		MX-M25-D119	MX-M25-N119
Distanz-Teleobjektiv MX-B237 (f/1.8, 15° x 11°)		MX-M25-D237	MX-M25-N237
Super-Teleobjektiv MX-B500 (f/2.5, 8° x 6°)		MX-M25-D500	MX-M25-N500
Hardware		M25 Body Day Or Night Lens For Self-Assembly	M25 Day Complete Camera
Image sensor with individual exposure zones	Color or Black & White (B/W)	Color	B/W
Light sensitivity in lux at 1/60 s and 1/1 s	0.1/0.005 (Color) 0.02/0.001 (B/W)	0.1/0.005 (Color)	0.02/0.001 (B/W)
Image sensor (color or B/W sensor)	1/1.8" CMOS, 6MP (3072 x 2048), Progressive Scan		
Microprocessor	PXA320 XScale Single Core		
H.264 Hardware Codec	Yes, bandwidth limitation available; output image format up to QXGA		
Protection classes	P66 and IK08		
Intended use	Not for use in hazardous areas (Ex area)		
Ambient temperature (range, incl. storage)	-30 to 50°C/-22 to 122°F		
Internal DVR, ex works	4 GB (microSD)		
Microphone/speaker	Yes/Yes		
16bit/16kHz HD wideband audio (Opus codec)	Yes (live and audio messages)		
Passive infrared sensor (PIR)	No		
Temperature sensor	Yes		
Shock detector (tamper detection)	Yes		
Power consumption (typical)	< 4.5 watts		
PoE Class (IEEE 802.3af)	Class 2 or 3 (variable), factory setting: class 3		
Interfaces Ethernet 100BaseT/MxBus/USB	Yes (MxRJ45)/Yes/Yes		
Interface RS232	With accessory (MX-232-IO-Box)		
Mounting options	Wall, ceiling or pole (pole mount: MOBOTIX accessory)		
Dimensions (Height x Width x Depth)	189 x 140 x 220 mm		
Weight	350 g		
Housing	Fixed Network, PBT-30GF, color: white		
Standard accessory	Screws, dowels, allen wrenches, VarioFlex wall and ceiling mount, rubber sealing 0,5 m Ethernet patch cable, Quick Install		

Technical Specifications

MOBOTIX M25 Allround



Hardware	M25 Body Day Or Night Lens For Self-Assembly	M25 Day Complete Camera	M25 Night Complete Camera
Detailed technical documentation	www.mobotix.com > Support > Manuals		
Online version of this document	www.mobotix.com > Support > Spec Sheets		
MTBF	> 80,000 hours		
Certifications	www.mobotix.com > Support > MxMediaLibrary > Certificates		
Protocols	IPv4, IPv6, HTTP, HTTPS, FTP, SFTP, RTP, RTSP, UDP, SNMP, SMTP, DHCP (client and server), NTP (client and server), SIP (client and server) G.711 (PCMA and PCMU) and G.722		

Image Formats, Frame Rates, Image Storage	M25 Body Day Or Night Lens For Self-Assembly	M25 Day Complete Camera	M25 Night Complete Camera
Available video codecs	MxPEG/MJPEG		
Image formats	Freely configurable format 4:3, 8:3, 16:9 or customized format (Image Cropping), such as 2592x1944 (5MP), 2048x1536 (QXGA), 1920x1080 (Full-HD), 1280x960 (MEGA)		
Multistreaming	Yes		
Multicast stream via RTSP	No		
Max. image format	6MP (3072 x 2048)		
Max. frame rate (fps)	MxPEG: 30@HD(1280x720), 30@Mega, 20@QXGA, 10@5MP, 8@6MP MJPEG: 20@HD(1280x720), 15@Mega, 8@QXGA, 5@5MP, 4@6MP		
Number of images with 4 GB microSD (internal DVR)	CIF: 250,000, VGA: 125,000, HD: 40,000, QXGA: 20,000, 6MP: 10,000		



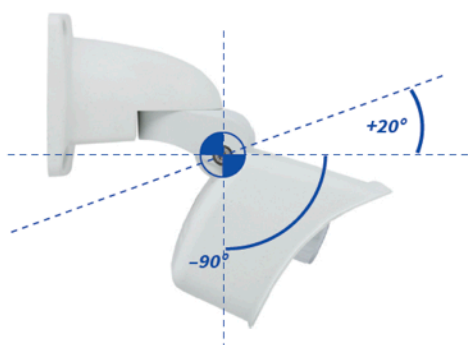
General Functions	M25 Body Day Or Night Lens For Self-Assembly	M25 Day Complete Camera	M25 Night Complete Camera
Digital zoom and pan		Yes	
ONVIF compatibility		No	
Genetec protocol integration		Yes	
Programmable exposure zones		Yes	
Snapshot recording (pre/post-alarm images)		Yes	
Continuous recording with audio		Yes	
Event recording with audio		Yes	
Time controlled flexible event logic		Yes	
Weekly schedules for recordings and actions		Yes	
Event video and image transfer via FTP and email		Yes	
Playback and QuadView via web browser		Yes	

Technical Specifications

MOBOTIX M25 Allround

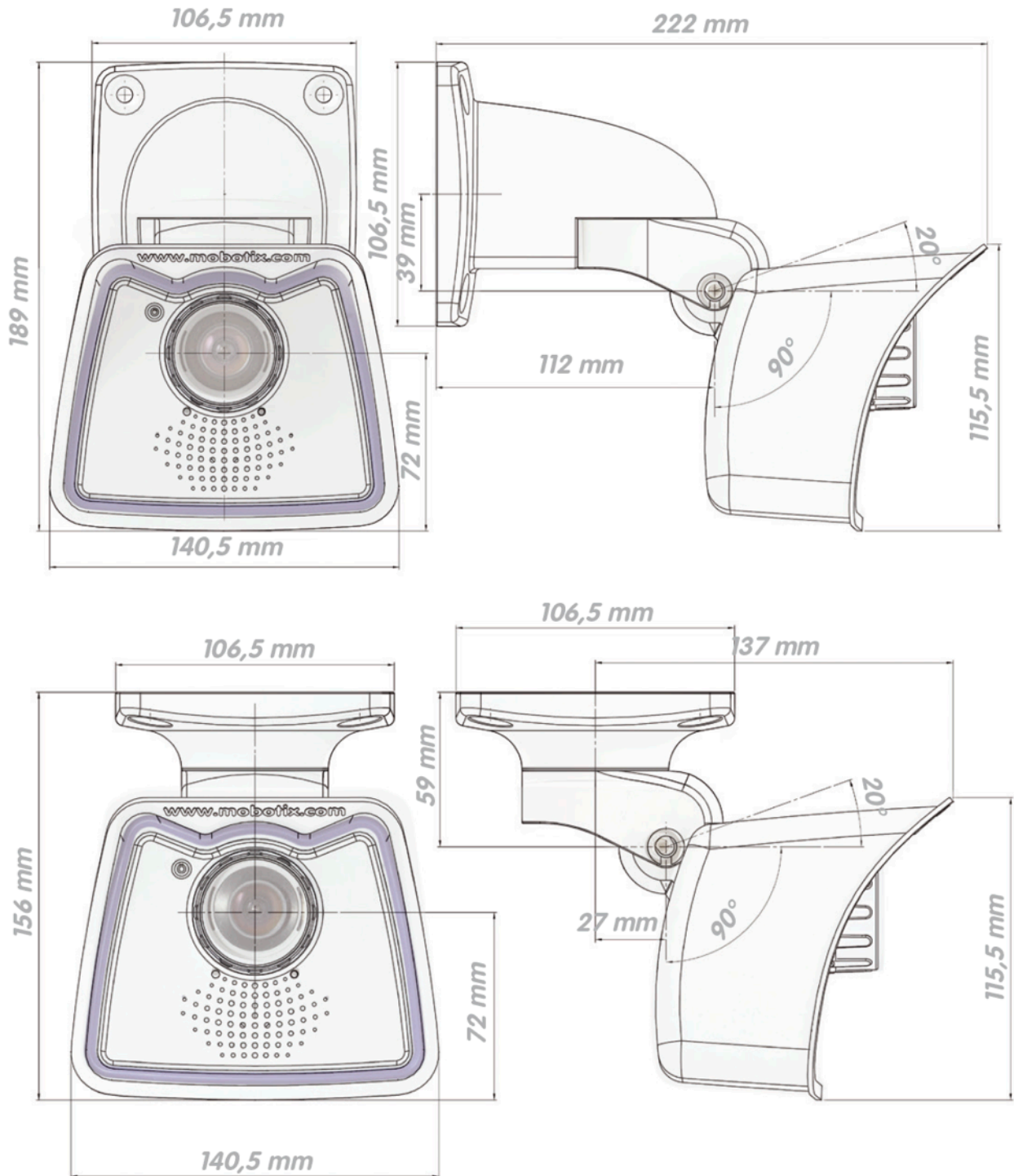


General Functions	M25 Body Day Or Night Lens For Self-Assembly	M25 Day Complete Camera	M25 Night Complete Camera
Bidirectional audio in browser		Yes	
Animated logos on the image		Yes	
Master/Slave functionality		Yes	
Privacy zone scheduling		Yes	
Customized voice messages		Yes	
VoIP telephony (audio/video, alert)		Yes	
Remote alarm notification (network message)		Yes	
Programming interface (HTTP-API)		Yes	
DVR	Inside camera via microSD card, externally via USB device and NAS, different streams for live image and recording, MxFFS with archive function, pre-alarm an post-alarm images, monitoring recording with failure reporting		
Camera and data security	User and group management, SSL connections, IP-based access control, IEEE802.1x, intrusion detection, digital image signature		
MxMessageSystem: Sending and receiving of MxMessages		Yes	
Video Analysis	M25 Body Day Or Night Lens For Self-Assembly	M25 Day Complete Camera	M25 Night Complete Camera
Video-Bewegungssensor		Yes	
MxActivitySensor		Yes	
MxAalytics	Yes (Heatmaps, counting corridors)		
Video Management Software	M25 Body Day Or Night Lens For Self-Assembly	M25 Day Complete Camera	M25 Night Complete Camera
MxManagementCenter		Yes	
Mobile MOBOTIX App		Yes	



Technical Specifications

MOBOTIX M25 Allround



Dimensions in mm

