



C-Bus 8 Channel ELV Relay

The C-Bus 8 Channel Extra Low Voltage (ELV) Relay offers the ability for C-Bus to switch low voltages and signal wires with a purpose-designed product. Housed in a dust proof enclosure, this product offers eight single-pole, double-throw (changeover) relay contacts. Until now, this control has been provided by using either mains rated contacts on C-Bus DIN rail relays installed into a switchboard enclosure, or by integrating with third-party relay products.

### Typical Controlled Devices

The C-Bus ELV relay unit controls devices such as irrigation solenoids. Each of the contacts is rated to handle switching current loads up to 2 Amps, including inductive loads such as the coils of irrigation solenoids. Other similar load types such as electric door strikes, can now be controlled directly from this purpose-built product.

The changeover contacts are perfect for ELV air-conditioning dampers with 'power to on, power to off' requirements. The relays are also suitable for 'power to on, spring return', air-conditioning damper applications.

Pulse control of third-party devices such as garage doors or vehicle access gates are perfect applications for this product. Pulse contact control of certain blinds and curtains can also be achieved quite easily.

The 'restore to off' feature ensures that the contact will always be in the de-energised state after a power failure; this prevents accidental activation of devices.

Dry contact integration into other products such as key-switch arming into alarm panels can also be provided easily and cost effectively. Contact pairing is provided so that simultaneous activation of two contacts produces a third function on some blind and curtain systems that require it.

You can configure any combination of the above applications. Also, C-Bus provides all of the unit and relay activation power, allowing mixed voltages and applications.

### Design

The enclosure is designed for surface mounted installations and is suitable for higher operating temperatures, such as in garden sheds where irrigation control is required.

Both mounting holes and keyhole mounting options are provided. The lid is reversible for the chosen orientation. All terminal blocks are removable and are clearly marked. Local override buttons are provided for testing purposes. In addition to the C-Bus indicator, there is a status indicator for each individual relay. Multiple 16mm knockouts are provided to assist with cable entry or the fitting of cable glands.

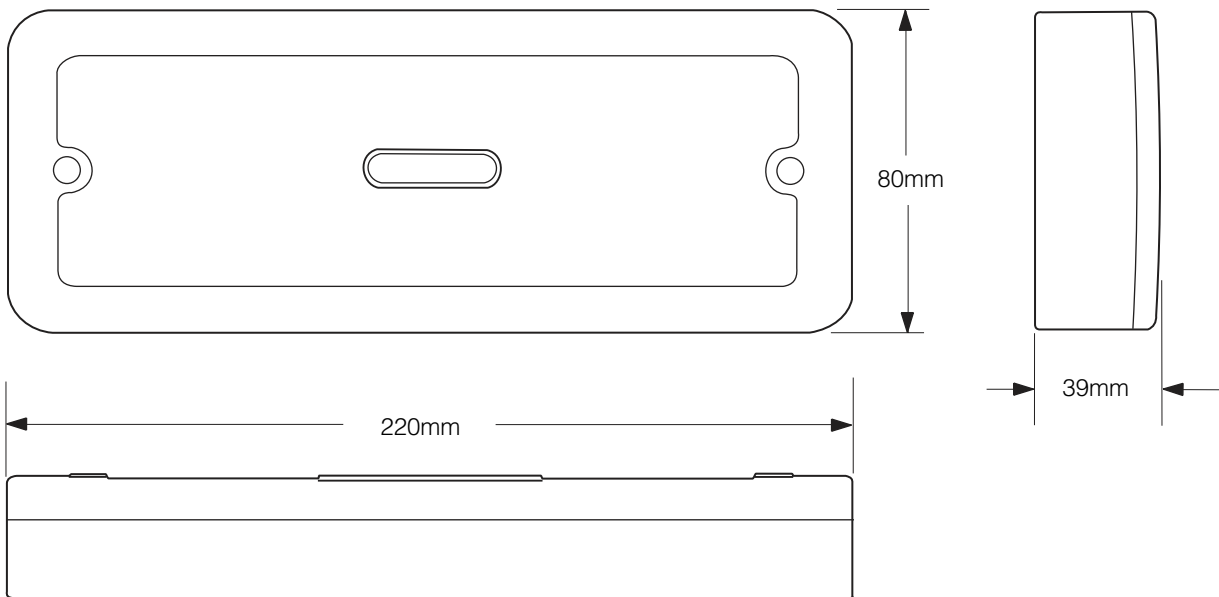
## Electrical Specifications

| Parameter                           | Description  |
|-------------------------------------|--|
| C-Bus supply voltage                | 15 to 36V d.c.   |
| Current requirement                 | 32mA. The relay does not provide current to the C-Bus network                            |
| Maximum number of units per network | 50   |
| Load rating per relay channel       | 2A @ 30V d.c. max or 30V a.c. RMS. Suitable for resistive and inductive loads            |
| Contact type                        | Voltage free, single-pole, double-throw (SPDT)   |
| Relay terminal connections          | C Common<br>N/O Normally Open<br>N/C Normally Closed<br>(Removable screw terminal block) |
| Status indicators                   | Unit, C-Bus and relay status   |
| Warm-up time                        | 5 seconds  |
| C-Bus connection                    | Twisted pair, UTP Cat.5e<br>(Removable screw terminal block)                             |

## Mechanical Specifications

| Parameter                   | Description                                       |
|-----------------------------|---|
| Dimension                   | 220mm x 80mm x 39mm                               |
| Weight                      | 330 grams   |
| Mounting                    | Surface, 4 mounting screw holes and keyhole mount |
| EMC Environment             | Environment A                                     |
| IP rating                   | IP5x (dust proof)                                 |
| Operating temperature range | 0 to 50° C  |
| Storage temperature range   | 0 to 60° C  |
| Operating humidity range    | 10 to 95% relative humidity                       |

| Catalogue Number | Description   |
|------------------|---|
| L5108RELVP       | C-Bus 8 Channel, Extra Low Voltage (ELV) Relay Unit |



### Clipsal Australia Pty Ltd

A member of Schneider Electric

#### Head Office

33-37 Port Wakefield Road,  
Gepps Cross, South Australia 5094

|                         |                             |
|-------------------------|-----------------------------|
| Australia               | 1300 722 247                |
| New Zealand             | 0800 888 219                |
| Northern Asia           | +852 2484 4157 (Hong Kong)  |
| South Africa            | 011 314 5200                |
| Southern Asia           | +603 7665 3555 x 236 or 242 |
| United Kingdom          | +44 870 608 8608            |
| Technical Support Email | cis_support@clipsal.com.au  |

You can find this brochure and many others online in PDF format at:  
[clipsal.com/cis](http://clipsal.com/cis)

### National Customer Care Enquiries:

**1300 2025 25**

### National Customer Care Facsimile:

**1300 2025 56**

Clipsal Australia Pty Ltd reserves the right to change specifications, modify designs and discontinue items without incurring obligation and whilst every effort is made to ensure that descriptions, specifications and other information in this catalogue are correct, no warranty is given in respect thereof and the company shall not be liable for any error therein.

© Clipsal Australia Pty Ltd

This material is copyright under Australian and international laws. Except as permitted under the relevant law, no part of this work may be reproduced by any process without prior written permission of and acknowledgement to Clipsal Australia Pty Ltd. The identified trademarks and copyrights are the property of Clipsal Australia Pty Ltd unless otherwise noted.

