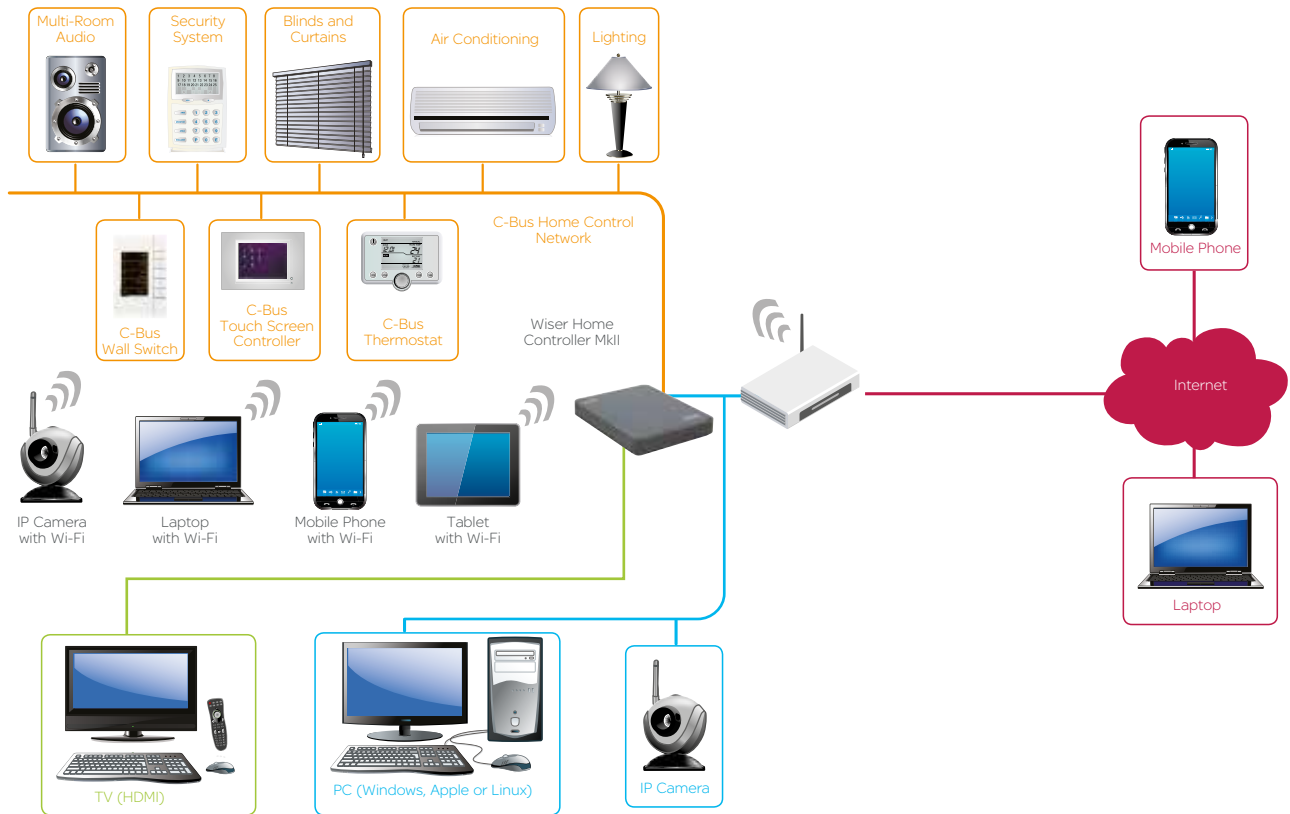


# Wiser Home Controller

Technical Brochure



# Wiser by name, wiser by nature



The Wiser Home Controller 2 (Wiser 2) gives the homeowner the ability to control and monitor lighting, climate, security, blinds, curtains and home audio. The product can also view cameras and monitor power consumption in the home. All of this can be performed locally or over the Internet using a PC, tablet or mobile phone.



For more information  
**Download SE Clicker**  
and scan this page



## Technical specifications

### System Programming

- The installer sets up the Wiser 2 via a PC containing \_\_\_\_\_software configuration tools from Schneider Electric.
- After initial programming locally on site, the installer can later make program changes locally or remotely, as needed using PICODE.
- The Wiser 2 controller includes an on-board web server, capable of serving up the User Interface (UI) via a compatible secured web browser.
- The customer can change the description of widgets and modify scenes and schedules from web clients.

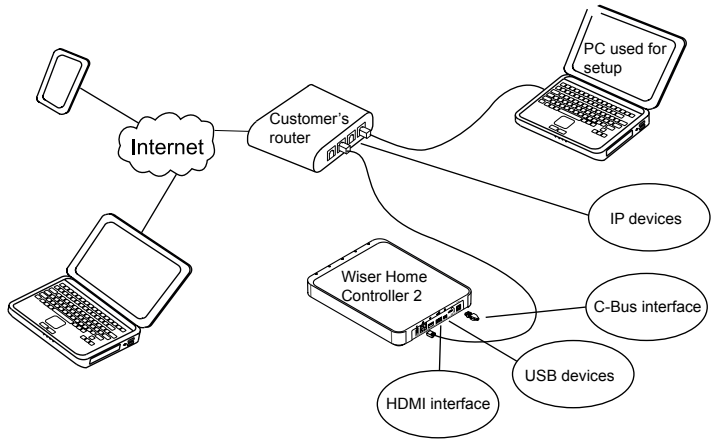
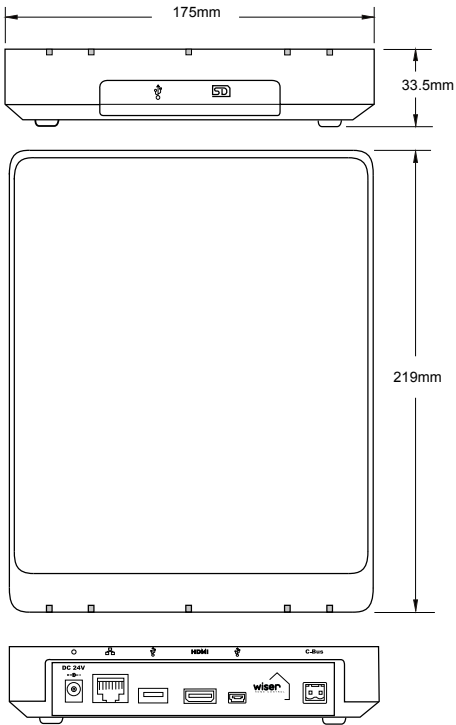
### Key Product Features

- A physical port connects directly to a C-Bus network; no external PCI is needed.
- The C-Bus port can be used as a gateway to facilitate programming C-Bus locally or over the Internet.
- The product supports communication with IP devices on the same LAN, i.e., video cameras.
- The product can be powered either by the provided 24 V d.c. power supply or by Power over Ethernet (PoE).
- Support for wired ethernet or wireless client connection to home network devices.
- Wi-Fi encryption supports WEP 64/128 bit, WPA or WPA2.
- The product supports a dynamic (DHCP) or fixed IP address configuration. When remote access is enabled, a static IP is recommended.
- Supports many popular Dynamic DNS services.
- Supports ZigBee™ network connection via USB dongle or Ethernet interface adapters from Schneider Electric.
- Includes a 10-year Lithium battery backup for the Real Time Clock (RTC).
- Includes front panel LED Indicators for Power, C-Bus, Wi-Fi, MRA and ZigBee and ports for USB and SD card.
- The GUI can be viewed in a web browser (Flash™ must be supported), on an iOS™, android and HDMI connected monitor
- Supports control of User Interface (UI) on HDMI connected device through device's own hand-held remote control.
- Includes in-built Ripple™ server for use with C-Bus Multi-Room Audio™ solution.
- Supports multiple time/date formats suitable for many regions.
- Software Configuration Tools from Schneider Electric can be freely downloaded from the Internet.
- Firmware upgrades are done automatically every time a project is uploaded by PICODE
- The product has a two-year warranty against manufacturing defects.

### Connectivity

- The Wiser 2 is normally connected to one of the LAN ports on the customer's router for internet connectivity .
- Remote devices reach Wiser 2 via this route.
- The Wiser 2 can communicate with a range of IP devices and networked devices wired and wirelessly.
- First time installation requires PC connected to the same LAN as the Wiser 2. Once configured, PC is not required.
- For advanced User Interface, PICODE software is required.

## Dimensions



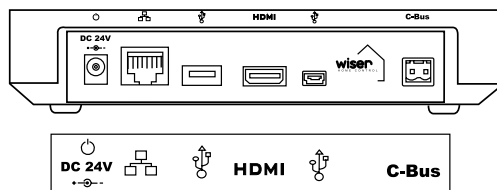
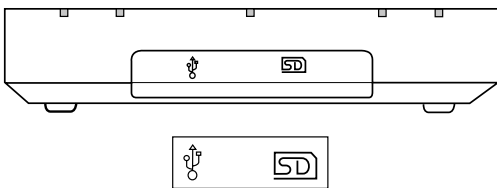
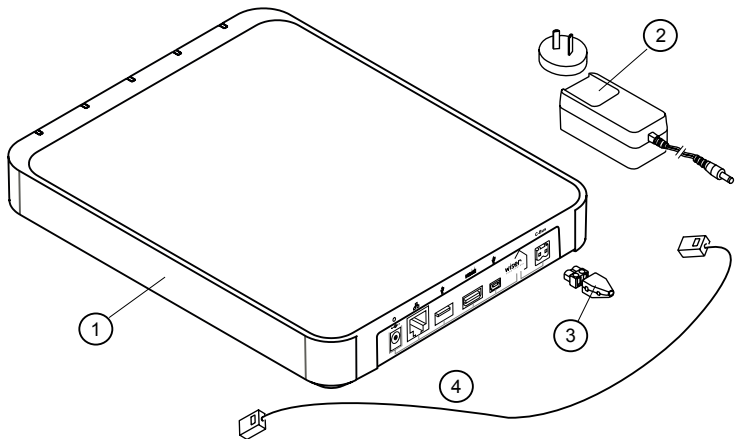
## Component and Feature Identification

### Figure Ref. Part Name

- 1 Wiser Home Controller 2
- 2 Power supply
- 3 C-Bus cable connector
- 4 Ethernet cable, Cat5e

The C-Bus connector prevents accidental wiring of the C-Bus network cable to the Internet port.

The included power supply comes with several AC power socket adapters for different regions.



**Important!** If you use PoE to power the Wiser 2, you must use an 802.3af-compliant PoE switch and a Cat5e cable, such as the one provided with the Wiser 2.

## Product specifications

Operating Temperature	0°C to 45°C
Operating Humidity	10-90% non-condensing
Power supply -output	Multi-region, 100-240V ac to 24V dc, 1A plug adapter
Dimension	219 (L) x 175 (W) x 33.5 (D) mm
Certification	FCC, CE
Product reference	WHC2_5918 Wiser Home Controller 2
Device type and class	Information Technology Equipment, Class 2
Power requirements	Included power supply rating: 24V d.c., 1A, or Power over internet 802.3af
C-Bus power requirement	15-36 V d.c., mA. The Wiser does not provide power for the C-Bus Network
LAN connectivity	Wired: Cat5e Wireless: 802.11 bgn
Application	Monitoring and control for lighting and home automation For indoor use only
Wireless frequency	2.4 GHz
Antenna type	Internal
Supported interfaces types	Ethernet, WAN and LAN USB V1.0 and later HDMI C-Bus SD card (Fat16 or Fat32 only)
Clock battery	Lithium, non-rechargeable
Rear panel connections	d.c. Power-centre positive C-Bus-2-terminal plug Ethernet LAN-RJ45 USB mini-USB HDMI
Front Panel connections	USB (inside door) SD card (inside door)
Under top cover	USB connector for USB ZigBee Interface
Warranty	The product has a two-year warranty

Note: The use of SSLs may be restricted in some locations.

## Ordering information

Catalogue Number	Description
WHC2_5918	Wiser Home Controller 2, interface unit for home automation. Supports local or remote connection to IP devices, C-Bus network and ZigBee network, Includes direct connections to Ethernet, USB, SD Card, HDMI and C-Bus. Can be operated as a wired or wireless LAN. User interface supports PC, tablet and mobile phone devices (Windows, Android and iOS). A power supply and ethernet cable are provided. A connector is supplied for C-Bus network attachment.

### Hardware features (controller)

Interface	1 x LAN RJ45 socket, supports Power Over Ethernet 1 x Socket for 24V dc (power supply) 1 x HDMI connection 2 x USB 'A' connections (1 front, 1 rear) 1 x C-Bus screw terminal connector
Antenna	Built-in antenna
<b>Software Features</b>	
Internet Connectivity	DHCP client Dynamic DNS
Security	WPA, WPA2
Video Connectivity	Support for multiple video formats for cameras including motion JPEG
Maximum number of C-Bus Application supported	10
Maximum number of C-Bus group addresses supported	255 group addresses on each application (maximum of 500 total)
Number of programming commands available	>200
Maximum number of individual modules in a program	50
Number of timers	20 in-built, >1,000 user definable
Maximum number of event schedules	250
Variable mathematical functions	Yes
Schedule events by time	Yes
Sunrise/Sunset events	Yes
Daylight savings time adjusted	Yes
Random time events	Yes
Power failure recovery process	255 group addresses
Time resolution	1 second
Clock accuracy	1 minute/month 1 second/100 years with NTP (not tested)
Email client	POP3, 5 email accounts, email qty, sender and subject



## Schneider Electric Ltd

United Kingdom  
Stafford Park 5,  
Telford  
Shropshire  
TF3 3BL  
Tel: 0870 608 8 608  
Fax: 0870 608 8 606  
www.schneider-electric.com/uk

Ireland  
Head office,  
Block a  
Maynooth Business Campus  
Maynooth, Co. Kildare  
Tel: (01) 601 2200  
Fax: (01) 601 2201  
www.schneider-electric.com/ie

Schneider Electric Limited is a company registered in England and Wales.  
Registered number: 1407228. Registered office: Stafford Park 5, Telford, Shropshire TF3 3BL.

© 2013 Schneider Electric. All Rights Reserved. Schneider Electric, Active Energy Management, Compact, EcoStruxure, ION Enterprise, iRIO, Make the most of your energy, Masterpact, Micrologic, Power Plant To Plug, Modbus, and PowerLogic are owned by Schneider Electric Industries SAS, or its affiliated companies in the United States and other countries.

As standards, specifications and designs change from time to time, please ask for confirmation of the information given in this publication.

member of

