



Clipsal C-Bus Saturn eDLT

Technical Brochure

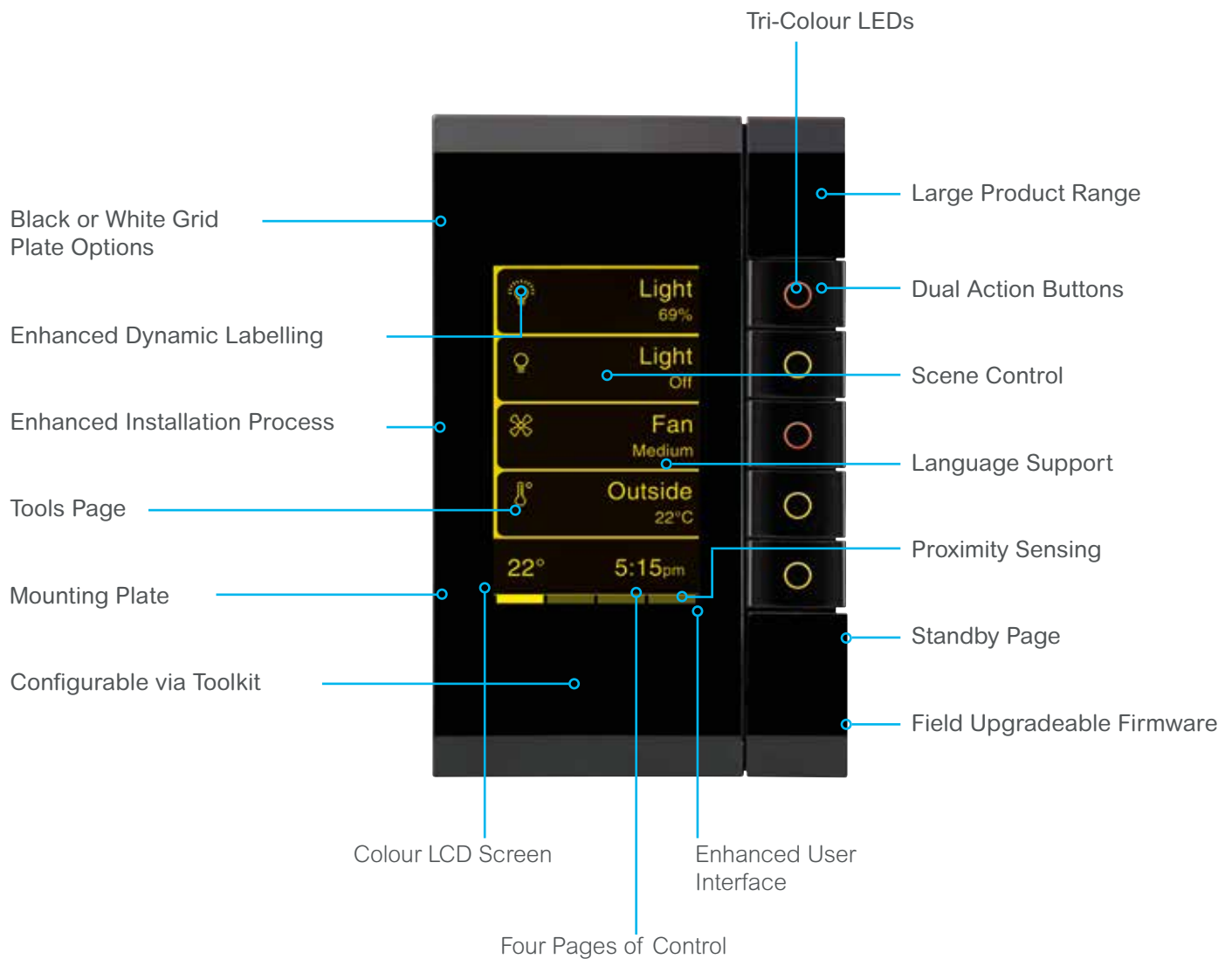
schneider-electric.co.uk

Life Is On

Schneider
Electric

The best just got better

Introducing our new Saturn eDLT Range



A New Era in Wall Switches

The C-Bus enhanced Dynamic Labelling Technology (eDLT) switch builds on the success of the C-Bus DLTTM switch, by taking it to a whole new level. With enhanced colour, control and functionality the eDLT offers a huge range of installer and user benefits that enable the eDLT to display C-Bus system information that would usually require a touch screen.

Technical specifications

Parameter	Description
C-Bus supply voltage	15-36V d.c.
Current requirement	32mA
a.c. impedance	61k Ω
Operating temperature	5-40°C
Storage temperature	0-60°C
Operating relative humidity range	0-90% Non-condensing
C-Bus connection	C-Bus Fly-Lead
Mounting	Magnetic attachment to mounting plate
Application	Indoor use only
Proximity sensor distance	5cm from front (max.)
C-Bus network clock	No
C-Bus network burden	No
Firmware update	Via mini USB socket on back (USB lead not supplied)
Warm-up time	5 seconds
Display type	2.8" WQVGA TFT
Screen (background and foreground) colours available	Black, White, Red, Green, Blue, Cyan, Magenta, Yellow
LED colours	White, Red, Green, Blue, Orange, Yellow, Cyan, Magenta
C-Bus applications	2 User-Definable Lighting, Trigger Control, Enable Control, Multi-Room Audio, Measurement, HVAC (Temperature Display Only), Clock and Timekeeping
Maximum pages	4 + standby page
Maximum widgets standby page	16 control widgets (4 per page) + 5 display widgets (1 per page) +
Standby screen timeout	1-240 seconds (in 1 second increments)
Widgets supported	Lighting C-Bus Fan Controller HVAC (temperature display only) Measurement Application (display only) MRA Control Scene C-Bus Shutter Relay Timer Time and Date Display

Mechanical Specifications (eDLT)	
Height	123mm
Width	77mm
Depth (total)	35mm
Depth (thickness off wall)	11.2mm
Weight	158.5g

Mechanical Specification (Mounting Plate)	
Height	111.75mm
Width	65.5mm
Depth (thickness maximum)	5.1mm
Mounting centres	84mm
Colour	Black

C-Bus Fly-Lead	
Terminal capacity	2 x 1.5mm ² stranded or solid
Length (cable)	140mm
Colour	Pink

Pure White



5085EDLWPW

5085EDLBPW

Stainless Steel



5085EDLBSS

5085EDLWSS

Ocean Mist



5085EDLBOM

5085EDLWOM

Horizon Black



5085EDLBHB

5085EDLWHB

Espresso Black



5085EDLBEB

5085EDLWEB

Features

Enhanced Dynamic Labelling

The eDLT has the ability to show more than one state of the device being controlled. For instance, the eDLT can indicate that the switch is controlling a ceiling fan whilst also displaying whether it is on a low, medium or high setting.

Tri-Colour LEDs

The LED indicators can be set to one of eight colours to display the ON /OFF status of a device being controlled. The LED colour can also display the state of a device, or change based on a C-Bus event. See Technical specifications for colour options.

Four Pages of Control

The eDLT can store up to four pages of controlled devices. With four devices per page, this allows for control of up to 16 devices on a single eDLT. The fifth position on each page indicates which page is active, with the option of displaying the time and date or temperature of a zone. The time and date can also be displayed in standby if desired.

LCD Screen

The colour screen allows the installer to select from a range of background and foreground (text and icon) colours to suit customer requirements. The background and foreground colours can also be set and change based on a C-Bus event.

Installation Process

The plug-in fly-lead allows the installer to prepare the C-Bus cable for final fit-off. The actual cable termination can take place at the same time as the wall preparation. Installation of the eDLT's mounting plate can also take place at this time. The eDLT can also be fastened to the mounting plate with screws.

Dual Action Buttons

Each eDLT button is a dual action button. The left/right rocking action allows the buttons to perform different functions. A short press can toggle the controlled device to its opposite state. The left/right function can cycle through stored scenes.

Field-Upgradeable Firmware

The eDLT includes a mini USB port on the back of the unit, enabling the installer to update it with new features as and when they are developed.

Standby Page

The measurement information is not just reserved for positions on the eDLT pages, but can also be displayed on the eDLT's standby page after a period of inactivity. The standby page can also display information such as the current time and date.

Proximity Sensing

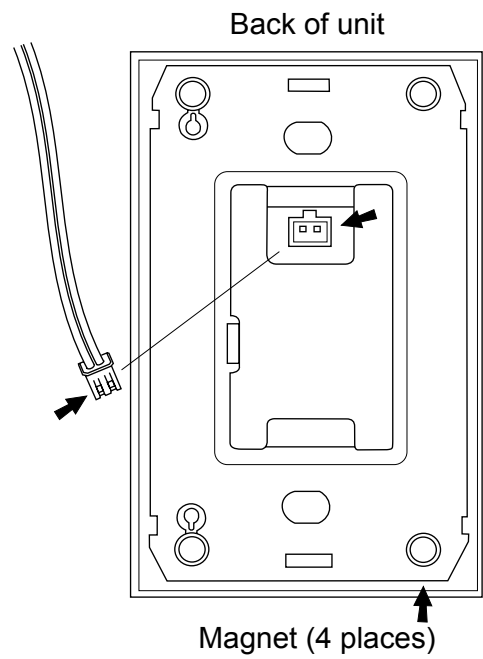
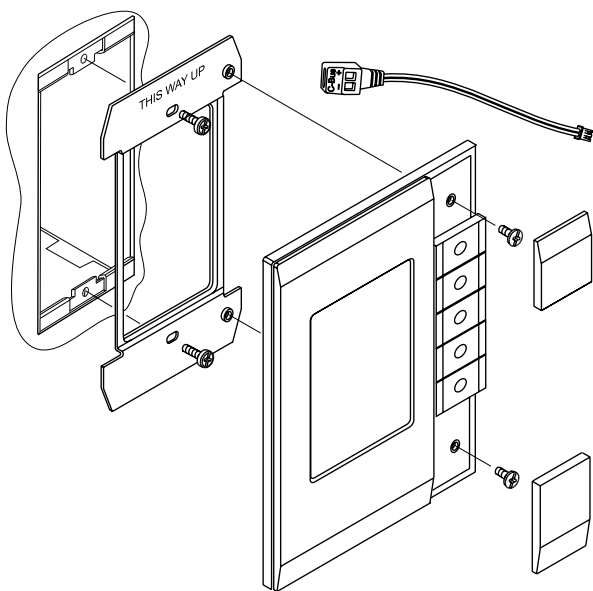
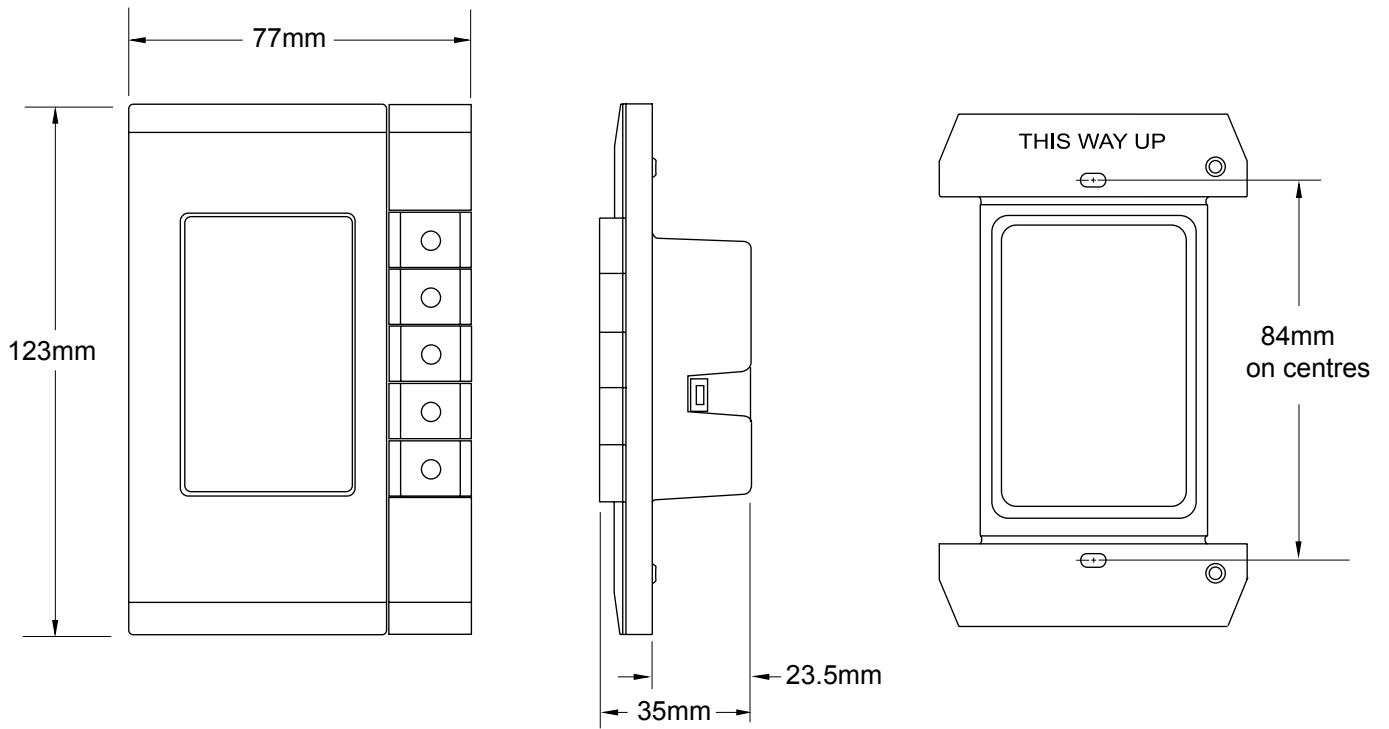
The proximity sensor can wake up the eDLT from standby, which activates when the user's hand comes within 5cm of the screen. Depending on the user's preference, the last used page or a predefined page will appear.

Tools Page

The homeowner can use the eDLT Tools Page to make small changes without the need to reprogram the eDLT.

Configurable via Toolkit

C-Bus Toolkit configuration software is used to program the eDLT. The installer can view the UI screen in Toolkit to see exactly what the eDLT will look like when the configuration program is transferred. Toolkit only transfers information where there are differences. This greatly reduces configuration time.



Ordering information

Catalogue Number	Description
5085EDLBPW	C-Bus enhanced DLT, Saturn wall switch. Black grid, Pure White glass fascia, white buttons.
5085EDLWPW	C-Bus enhanced DLT, Saturn wall switch. White grid, Pure White glass fascia, white buttons.
5085EDLBOM	C-Bus enhanced DLT, Saturn wall switch. Black grid, Ocean Mist glass fascia.
5085EDLWOM	C-Bus enhanced DLT, Saturn wall switch. White grid, Ocean Mist glass fascia.
5085EDLBEB	C-Bus enhanced DLT, Saturn wall switch. Black grid, Espresso Black glass fascia, black buttons.
5085EDLWEB	C-Bus enhanced DLT, Saturn wall switch. White grid, Espresso Black glass fascia, black buttons.
5085EDLBCM	C-Bus enhanced DLT, Saturn wall switch. Black grid, Cream glass fascia.
5085EDLWCM	C-Bus enhanced DLT, Saturn wall switch. White grid, Cream glass fascia.
5085EDLBBR*	C-Bus enhanced DLT, Saturn wall switch. Black grid, Mid-Brown glass fascia.
5085EDLWBR*	C-Bus enhanced DLT, Saturn wall switch. White grid, Mid-Brown glass fascia.
5085EDLBSS	C-Bus enhanced DLT, Saturn wall switch. Black grid, Stainless Steel fascia.
5085EDLWSS	C-Bus enhanced DLT, Saturn wall switch. White grid, Stainless Steel fascia.
5085EDLBHB	C-Bus enhanced DLT, Saturn wall switch. Black grid, Horizon Black fascia, charcoal grey buttons.
5085EDLWHB	C-Bus enhanced DLT, Saturn wall switch. White grid, Horizon Black fascia, charcoal grey buttons.
5000CBF	C-Bus Fly-Lead Terminal (bag of 5).
5000MP	C-Bus enhanced DLT Mounting Plate (box of 5).



About Schneider Electric

Schneider Electric is the global specialist in energy management and automation. With revenues of ~€25 billion in FY2016, our 144,000 employees serve customers in over 100 countries, helping them to manage their energy and process in ways that are safe, reliable, efficient and sustainable. From the simplest of switches to complex operational systems, our technology, software and services improve the way our customers manage and automate their operations. Our connected technologies reshape industries, transform cities and enrich lives.

At Schneider Electric, we call this **Life Is On**.

Schneider Electric

United Kingdom
Stafford Park 5,
Telford
Shropshire
TF3 3BL
Tel: 0870 608 8 608
Fax: 0870 608 8 606

Ireland
Head office, Block A
Maynooth Business Campus
Maynooth, Co. Kildare
W23 Y7X0
Tel: 1 800 805 800
Fax: (01) 601 2201

www.schneider-electric.co.uk

www.schneider-electric.ie

January 2017
SE9937

©2017 Schneider Electric. All Rights Reserved.
All trademarks are owned by Schneider Electric Industries SAS or its affiliated companies.

This document has been
printed on recycled paper