



D15 – Professional Outdoor Dual Lens Camera

- **High-Performance Dual Lens Camera With Two Flexibly Adjustable Sensor Modules**
Applicable As Day And/Or Night System Or As 180° Camera With Detailed 12MP Panoramic View
- **Modular System For Maximum Flexibility**
Sensors And Lenses Can Easily Be Customized With Interchangeable Sensor Modules For Self-Assembly
- **Intelligent 3D Motion Detection**
MxActivitySensor Integrated As Standard
- **Reduced Energy Costs**
Power Consumption < 7 W, Standard PoE
- **Virtually Maintenance-Free**
Weatherproof, Up To IP66, -30 – 60°C

Technical Specifications

MOBOTIX D15 DualDome



Camera Variants	D15 For Self-Assembly Day Or Night	D15 180° Panorama Day Or Night	D15 Day & Night
Specialties	Modular system: D15 Body Mx-D15Di-Sec with 1 or 2 sensor modules of choice, all components available separately for self-assembly	Complete sets (not available for the Americas) Special D15 systems with two factory-assembled sensor modules (all components also available separately for self-assembly)	
Lenses, Sensors (Integrated Into Sensor Modules)	D15 For Self-Assembly Day Or Night	D15 180° Panorama Day Or Night	D15 Day & Night
Sensor module with Ultra Wide Lens B036 (103° x 77°), night version optionally with LPF	Day: Mx-O-SDA-S-6D036 Night: Mx-O-SDA-S-6N036 LPF: Mx-O-SDA-S-6L036	Not available	MX-D15Di-Sec-DNight- D20N20-FIX-6MP-F1.8 or self-assembly
Sensor module with Super Wide Lens B041 (90° x 67°), night version optionally with LPF	Day: Mx-O-SDA-S-6D041 Night: Mx-O-SDA-S-6N041 LPF: Mx-O-SDA-S-6L041	Day: MX-D15Di- Sec-180-6MP-F1.8 Night: MX-D15Di-Sec- Night-180-6MP-F1.8 or self-assembly	MX-D15Di-Sec-DNight- D22N22-FIX-6MP-F1.8 or self-assembly
Sensor module with Wide Lens B061 (60° x 45°), night version optionally with LPF	Day: Mx-O-SDA-S-6D061 Night: Mx-O-SDA-S-6N061 LPF: Mx-O-SDA-S-6L061	Not available	MX-D15Di-Sec-DNight- D32N32-FIX-6MP-F1.8 or self-assembly
Sensor module with Standard Lens B079 (45° x 34°), night version optionally with LPF	Day: Mx-O-SDA-S-6D079 Night: Mx-O-SDA-S-6N079 LPF: Mx-O-SDA-S-6L079	Not available	MX-D15Di-Sec-DNight- D43N43-FIX-6MP-F1.8 or self-assembly
Sensor module with Tele Lens B119 (31° x 23°), night version optionally with LPF	Day: Mx-O-SDA-S-6D119 Night: Mx-O-SDA-S-6N119 LPF: Mx-O-SDA-S-6L119	Not available	MX-D15Di-Sec-DNight- D65N65-FIX-6MP-F1.8 or self-assembly
Sensor module with Distant Tele Lens B237 (15° x 11°), night version optionally with LPF	Day: Mx-O-SDA-S-6D237 Night: Mx-O-SDA-S-6N237 LPF: Mx-O-SDA-S-6L237	Not available	MX-D15Di-Sec-DNight- D135N135-FIX-6MP-F1.8 or self-assembly
Hardware	D15 For Self-Assembly Day Or Night	D15 180° Panorama Day Or Night	D15 Day & Night
Image sensor with individual exposure zones	Color or Black & White (B/W)	Color or B/W	Color & B/W
Light sensitivity in lux at 1/60 s and 1/1 s	0.1/0.005 (Color) 0.02/0.001 (B/W)	0.1/0.005 (Color) 0.02/0.001 (B/W)	0.1/0.005 (Color) 0.02/0.001 (B/W)
Image sensor (color or B/W sensor)	1/1.8" CMOS, 6MP (3072 x 2048), Progressive Scan		
Microprocessor	PXA320 XScale Single Core		
H.264 Hardware Codec	No		
Protection classes: no accessories/with Outdoor Wall Mount/with Vandalism Set	IP54 and IK10/IP65 and IK10/IP66 and IK10+		
Intended use	Not for use in hazardous areas (Ex area)		
Ambient temperature (range)	-30 to 60°C/-22 to 140°F		
Internal DVR, ex works	4 GB (microSD)		
Microphone/speaker	Yes/Yes		
16bit/16kHz HD wideband audio (Opus codec)	Yes (live and audio messages)		
Passive infrared sensor (PIR)	Yes		
Temperature sensor	Yes		
Shock detector (tamper detection)	Yes		
Power consumption	< 7 watts		
PoE Class (IEEE 802.3af)	Class 2 or 3 (variable), factory setting: class 3		

Technical Specifications

MOBOTIX D15 DualDome



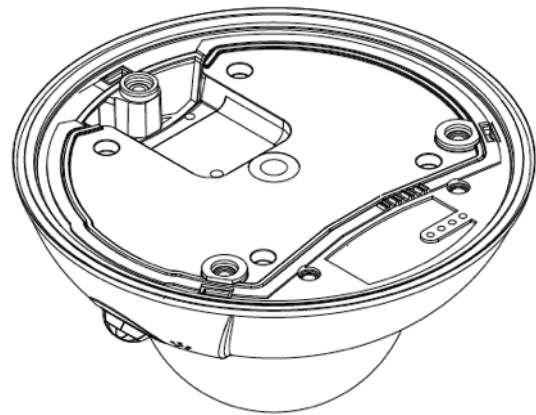
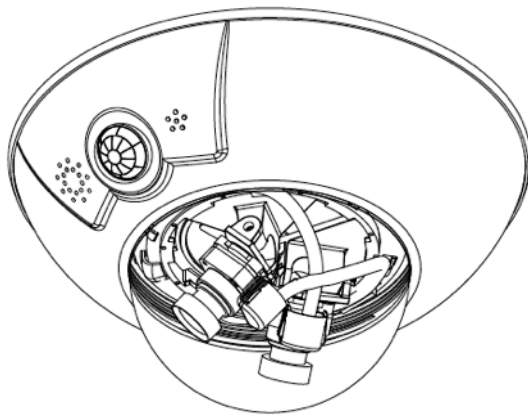
Hardware	D15 For Self-Assembly Day Or Night	D15 180° Panorama Day Or Night	D15 Day & Night
Interfaces Ethernet 100BaseT/MxBus/USB	Yes (MxRJ45)/Yes/Yes		
Interface RS232	With accessory (MX-232-IO-Box)		
Mounting options	Wall, ceiling or pole (with optional Wall & Pole/Corner Mount Set)		
Dimensions MX-D15Di-Sec (height x diameter)	108 x 205 mm		
Weight MX-D15Di-Sec	640 g		
Housing	Fixed Dome, PC-PBT, color: white		
Standard accessory MX-D15Di-Sec	Screws, dowels, allen screw, custom tool with magnet, Torx wrench, 0.5 m ethernet patch cable, Quick Install, 2x lens cover (Standard and XL)		
Detailed technical documentation	www.mobotix.com > Support > Manuals		
Online version of this document	www.mobotix.com > Support > Spec Sheets		
MTBF	> 80,000 hours		
Certifications	www.mobotix.com > Support > MxMediaLibrary > Certificates		
Protocols	IPv4, IPv6, HTTP, HTTPS, FTP, RTP, UDP, SNMP, SMTP, DHCP (client and server), NTP (client and server), SIP (client and server) G.711 (PCMA and PCMU) and G.722		
Image Formats, Frame Rates, Image Storage	D15 For Self-Assembly Day Or Night	D15 180° Panorama Day Or Night	D15 Day & Night
Available video codecs	MxPEG, MJPEG		
Image formats	Freely configurable format 4:3, 8:3, 16:9 or customized format (Image Cropping), such as 2592x1944 (5MP), 2048x1536 (QXGA), 1920x1080 (Full-HD), 1280x960 (MEGA)		
Max. image format (dual image from both sensors)	2x 6MP (6144 x 2048)		
Max. frame rate (fps)	MxPEG: 30@HD(1280x720), 30@Mega, 20@QXGA, 10@5MP, 8@6MP, 4@2x 6MP MJPEG: 20@HD(1280x720), 15@Mega, 8@QXGA, 5@5MP, 4@6MP, 2@2x 6MP		
Number of images with 4 GB microSD (internal DVR)	CIF: 250,000, VGA: 125,000, HD: 40,000, QXGA: 20,000, 6MP: 10,000		
General Functions	D15 For Self-Assembly Day Or Night	D15 180° Panorama Day Or Night	D15 Day & Night
Digital zoom and pan	Yes		
ONVIF compatibility	No		
Genetec protocol integration	Yes		
Programmable exposure zones	Yes		
Snapshot recording (pre/post-alarm images)	Yes		
Continuous recording with audio	Yes		
Event recording with audio	Yes		
Time controlled flexible event logic	Yes		
Weekly schedules for recordings and actions	Yes		
Event video and image transfer via FTP and email	Yes		
Playback and QuadView via web browser	Yes		
Bidirectional audio in browser	Yes		
Animated logos on the image	Yes		
Master/Slave functionality	Yes		
Privacy zone scheduling	Yes		
Customized voice messages	Yes		

Technical Specifications

MOBOTIX D15 DualDome

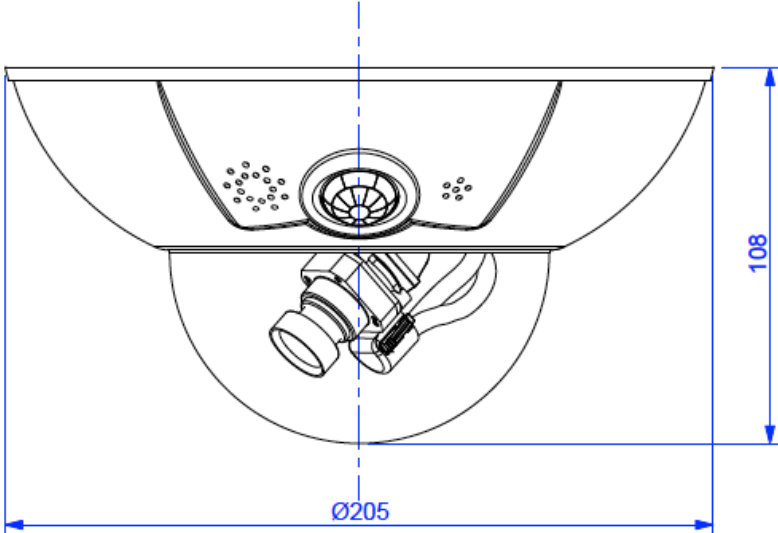


General Functions	D15 For Self-Assembly Day Or Night	D15 180° Panorama Day Or Night	D15 Day & Night
VoIP telephony (audio/video, alert)		Yes	
Remote alarm notification (network message)		Yes	
Programming interface (HTTP-API)		Yes	
DVR	Inside camera via microSD card, externally via USB device and NAS, different streams for live image and recording, MxFFS with archive function, pre-alarm and post-alarm images, monitoring recording with failure reporting		
Camera and data security	User and group management, SSL connections, IP-based access control, IEEE802.1x, intrusion detection, digital image signature		
MxMessageSystem: Sending and receiving of MxMessages		Yes	
Video Analysis	D15 For Self-Assembly Day Or Night	D15 180° Panorama Day Or Night	D15 Day & Night
Video motion detector		Yes	
MxActivitySensor		Yes	
Video Management Software	D15 For Self-Assembly Day Or Night	D15 180° Panorama Day Or Night	D15 Day & Night
MxManagementCenter		Yes	
Mobile MOBOTIX App		Yes	

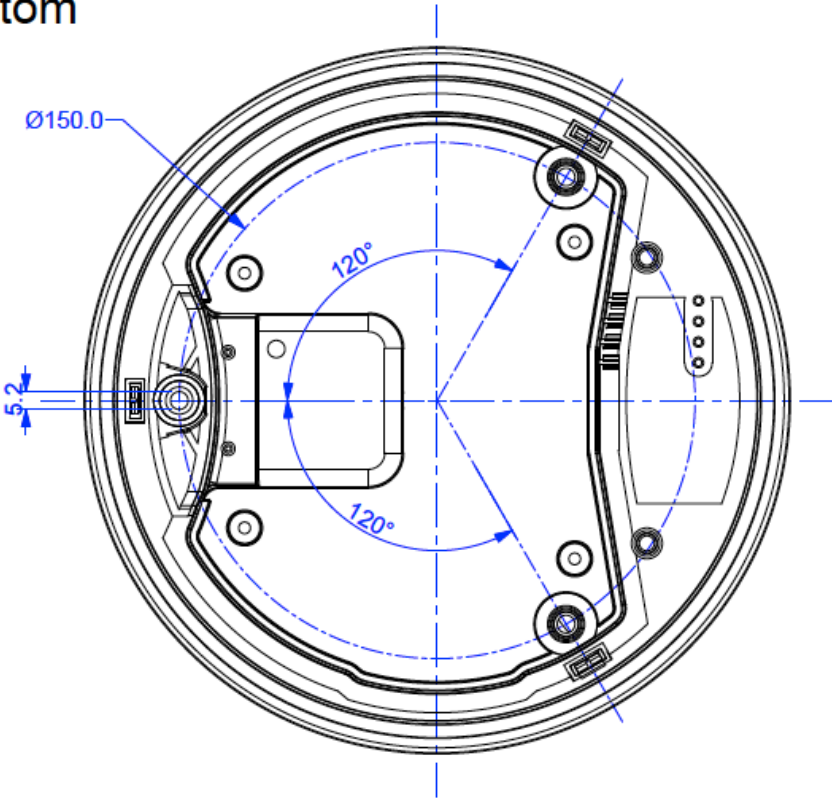




Front



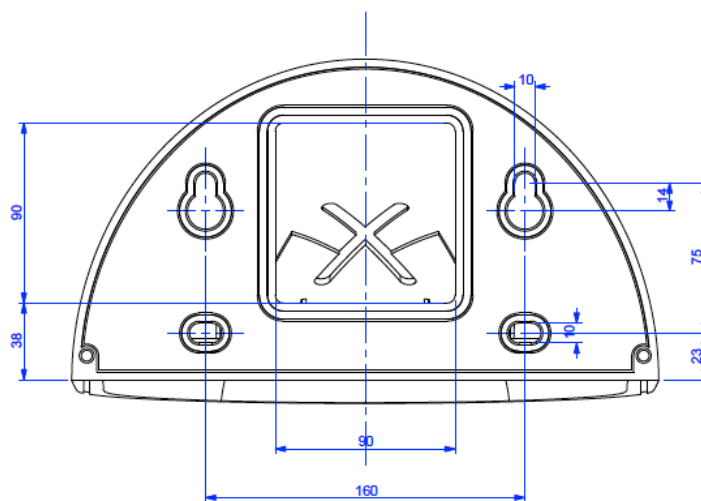
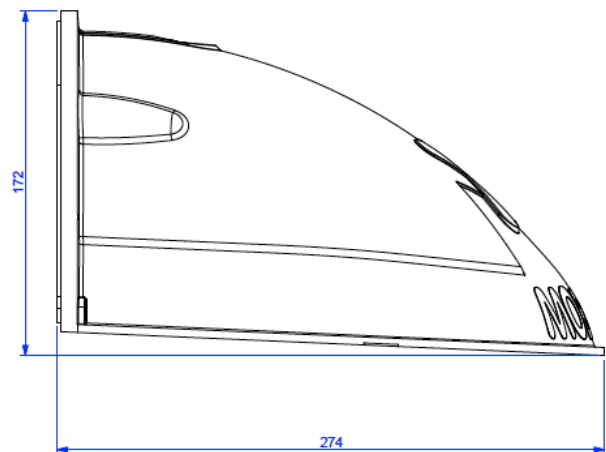
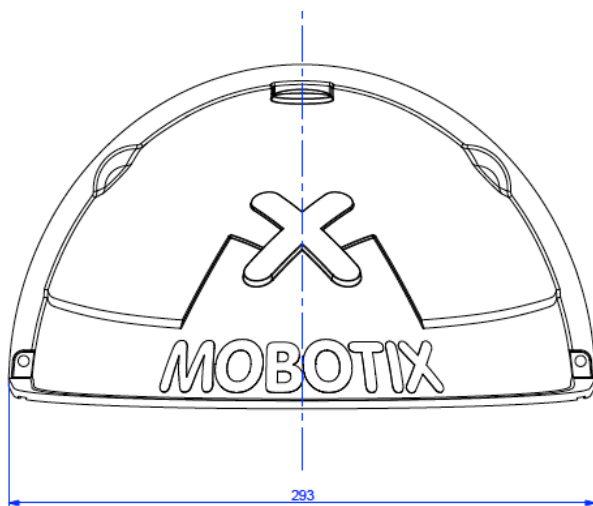
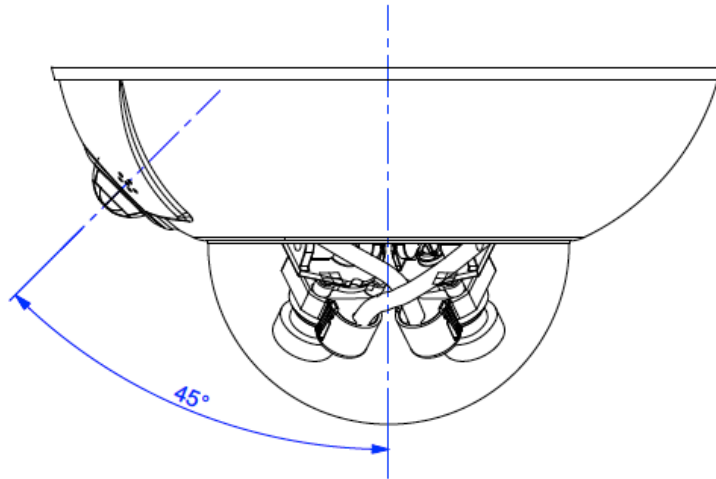
Bottom



All dimensions in mm



Side



Dimensions of Outdoor Wall Mount (accessory)

