



NILES®



CM730

7" CEILING MOUNT LOUDSPEAKER



7" Two-Way Ceiling Mount Loudspeaker with Pivoting Tweeter

- 7" Polypropylene Woofer
- 1" UltraSilk® Soft-Dome Tweeter

SPECIFICATIONS SHEET

7 INCH CEILING MOUNT LOUDSPEAKER

7" Two-Way Loudspeaker with Pivoting Tweeter

CM730

Stock Number

FG01297



Features

- Integrated woofer/baffle design delivers greater low frequency response by employing a 7" woofer where competitive models of the same outer size employ 6 1/2" woofers
- Polypropylene cone is light, strong and well damped to provide "best in class" bass response
- Butyl rubber surround damps resonance and provides exceptional durability
- 1" fluid-cooled UltraSilk® soft-dome tweeter provides for clear and detailed high frequency response
- Proprietary bridge-mounted tweeter-adjustment mechanism focuses the high frequency sound in any direction up to 20° without diffraction
- Includes flush-mount MicroPerf™ aluminum grille for a clean and unobtrusive look
- Weather resistant construction reduces installation limitations and provides unique solutions in moist environments or outdoors under eaves

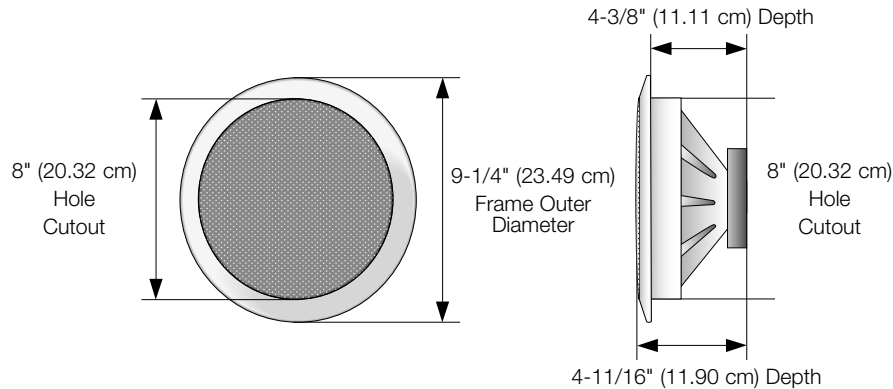
Specifications





- Frequency Response: 59Hz to 21kHz +/-3dB
- Impedance: 8 ohm nominal; 6 ohm minimum
- Recommended Amplifier Power: 10 to 100 Watts
- Frame Dimensions: 9 1/4 inches (23.49 cm)
- Hole cutout dimensions: 8 inches (20.32 cm)
- Depth behind ceiling: 4 3/8 inches (11.11 cm)

Warranty: Lifetime Limited



PRODUCT CONSTRUCTION AND ACCESSORIES



Loudspeaker Model		Works With			
Model	Stock Number	Previous Bracket	New Bracket	Metal Enclosure	Hole Cover
CM730	FG01297	 CM6 Series Bracket Kit FG00655	 CM700 BKT FG01308	 CE 6 FG00944	 CM700 Hole Cover FG01309