



NILES®



CM730DSC

7" DIRECTED SOUNDFIELD CENTER CHANNEL
CEILING MOUNT LOUDSPEAKER



**7" Directed Soundfield Center Channel Loudspeaker
with Pivoting Woofer and Tweeter**

- 7" Polypropylene Woofer
- 1" UltraSilk® Soft-Dome Tweeter

SPECIFICATIONS SHEET

7 INCH DIRECTED SOUNDFIELD CEILING MOUNT LOUSPEAKER

7" Directed Soundfield Center Channel Loudspeaker with Pivoting Woofer and Tweeter

CM730DSC

Stock Number
FG01483



Features

- Patented woofer assembly fully pivots up to 20° to focus the bass and midrange tones directly into the listening area
- Twist and Lock™ baffle and frame mechanism facilitates quick installation and trouble-free upgrades
- Integrated woofer/baffle design delivers greater low frequency response by employing a 7" woofer
- Polypropylene cone is light, strong and well damped to provide "Best in Class" bass response
- Butyl rubber surround damps resonance and provides exceptional durability
- 1" fluid-cooled UltraSilk® soft dome tweeter for exceptional clarity in the high frequencies
- Proprietary bridge-mounted tweeter pivot mechanism focuses the high frequency sound in any direction up to 20° without diffraction
- Includes flush-mount MicroPerf™ aluminum grille for a clean and unobtrusive look
- Two-position dialog enhance and three-position tweeter level controls provide precise matching to room acoustics

Specifications

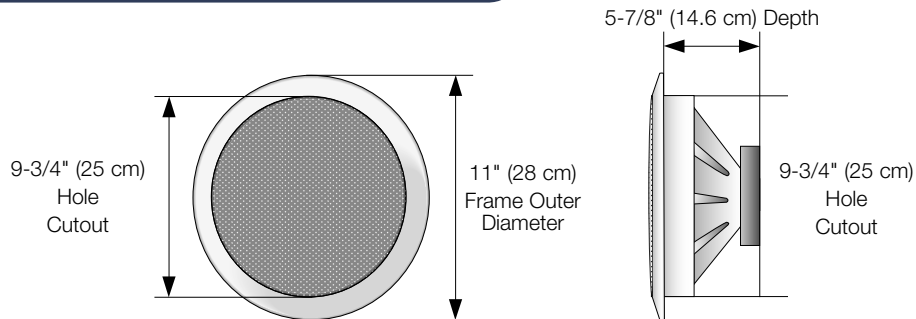
- Frequency response: 55Hz to 21kHz +/-3dB
- Impedance: 8 ohm nominal; 6 ohm minimum
- Recommended amplifier power: 10 to 125 watts
- Frame dimensions: 11" diameter (28 cm)
- Hole cutout dimensions: 9 3/4" diameter (25 cm)
- Depth behind ceiling: 5 7/8" (14.6 cm)

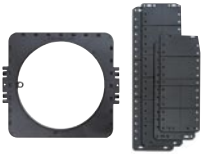



Lifetime Limited Warranty
US Patent: 6,683,963



CES Innovations Design & Engineering Award

PRODUCT CONSTRUCTION AND ACCESSORIES



Loudspeaker Model		Works With			
Model	Stock Number	Previous Bracket	New Bracket	Metal Enclosure	Hole Cover
CM730DSC	FG01483	 DS8 Series Bracket Kit FG01053	 CM700DS BKT FG01357	 CE DS8 FG01054	 CM700DS Hole Cover FG01318