



NILES®



CM750

7" CEILING MOUNT LOUDSPEAKER



7" Two-Way Ceiling Mount Loudspeaker with Pivoting Tweeter

- 7" TCC™ (Talc, Carbon, and Ceramic-Filled) Woofer
- 1" Teteron® Dome Tweeter

SPECIFICATIONS SHEET

7 INCH CEILING MOUNT LOUDSPEAKER

7" Two-way Loudspeaker with Pivoting Tweeter

CM750

Stock Number

FG01298



Features

- Integrated woofer/baffle design delivers greater low frequency response by employing a 7" woofer where competitive models of the same outer size employ 6 1/2" woofers
- Injection-molded TCC™ (Talc, Carbon, and Ceramic-filled) cone is extremely rigid to reduce breakup, lower distortion and provide enhanced bass response
- Butyl rubber surround damps resonance and provides exceptional durability
- 1" fluid-cooled Teteron® dome tweeter offers ultra-wide dispersion and silky-smooth high-frequency response
- Proprietary bridge-mounted tweeter-adjustment mechanism focuses the high frequency sound in any direction up to 20° without diffraction
- Includes flush-mount MicroPerf™ aluminum grille for a clean and unobtrusive look
- Weather resistant construction reduces installation limitations and provides unique solutions in moist environments or outdoors under eaves

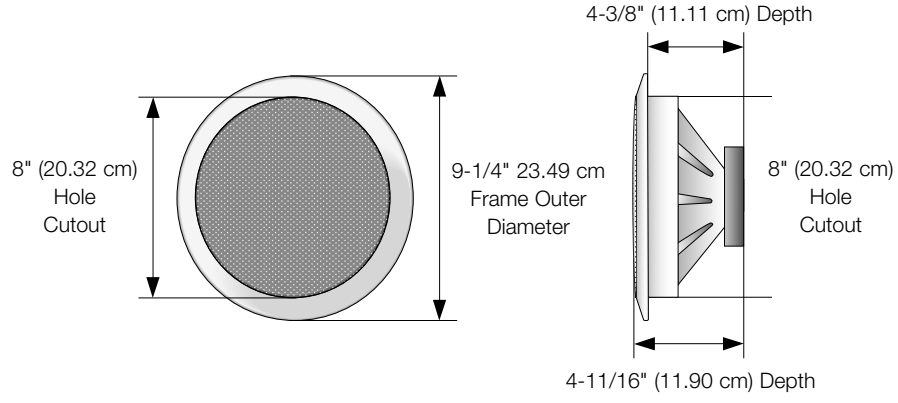
Specifications





- Frequency Response: 56Hz to 21kHz +/-3dB
- Impedance: 8 ohm nominal; 6 ohm minimum
- Recommended Amplifier Power: 10 to 125 Watts
- Frame Dimensions: 9 1/4 inches (23.49 cm)
- Hole cutout dimensions: 8 inches (20.32 cm)
- Depth behind ceiling: 4 3/8 inches (11.11 cm)

Warranty: Lifetime Limited



PRODUCT CONSTRUCTION AND ACCESSORIES



Loudspeaker Model		Works With			
Model	Stock Number	Previous Bracket	New Bracket	Metal Enclosure	Hole Cover
CM750	FG01298	 CM6 Series Bracket Kit FG00655	 CM700 BKT FG01308	 CE 6 FG00944	 CM700 Hole Cover FG01309

SPECIFICATIONS SHEET