



NILES®



# CM760

## 7" CEILING MOUNT LOUDSPEAKER



### 7" Two-Way Ceiling Mount Loudspeaker with Pivoting Tweeter

- 7" Interlaced Glass Fiber Woofer
- 1" Teteron® Dome Tweeter

SPECIFICATIONS SHEET

## 7 INCH CEILING MOUNT LOUDSPEAKER

### 7" Two-way Loudspeaker with Pivoting Tweeter

CM760

Stock Number

FG01299



#### Features

- Integrated woofer/baffle design delivers greater low frequency response by employing a 7" woofer where competitive models of the same outer size employ 6 1/2" woofers
- Interlaced glass fiber cone is lightweight yet extremely rigid for deep, powerful bass response
- Butyl rubber surround damps resonance and provides exceptional durability
- 1" fluid-cooled Teteron® dome tweeter offers ultra-wide dispersion and silky-smooth high-frequency response
- Proprietary bridge-mounted tweeter-adjustment mechanism focuses the high frequency sound in any direction up to 20° without diffraction
- 3 position tweeter level control provides for precise matching to room acoustics
- Includes flush-mount MicroPerf™ aluminum grille for a clean and unobtrusive look
- Weather resistant construction reduces installation limitations and provides unique solutions in moist environments or outdoors under eaves

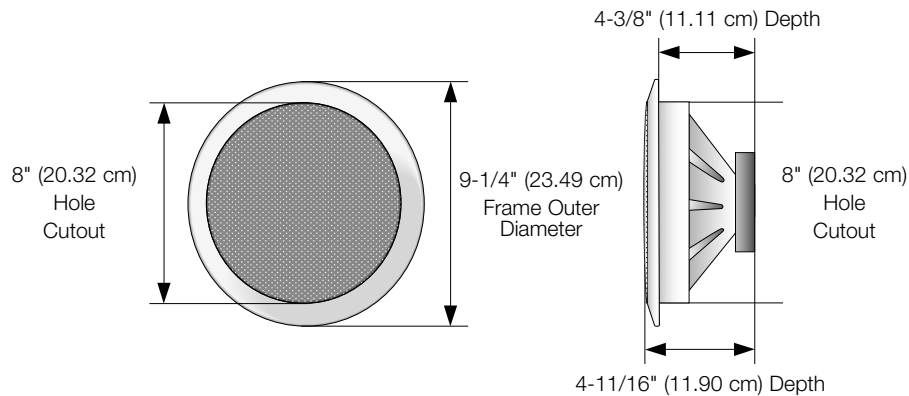
#### Specifications

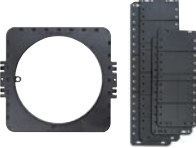



- Frequency Response: 54Hz to 21kHz +/-3dB
- Impedance: 8 ohm nominal; 6 ohm minimum
- Recommended Amplifier Power: 10 to 150 Watts
- Frame Dimensions: 9 1/4 inches (23.49 cm)
- Hole cutout dimensions: 8 inches (20.32 cm)
- Depth behind ceiling: 4 3/8 inches (11.11 cm)

**Warranty: Lifetime Limited**



## PRODUCT CONSTRUCTION AND ACCESSORIES



Loudspeaker Model		Works With			
Model	Stock Number	Previous Bracket	New Bracket	Metal Enclosure	Hole Cover
CM760	FG01299	 CM6 Series Bracket Kit FG00655	 CM700 BKT FG01308	 CE 6 FG00944	 CM700 Hole Cover FG01309