



NILES®



CM760DS

7" DIRECTED SOUNDFIELD

CEILING MOUNT LOUDSPEAKER



7" Directed Soundfield Loudspeaker with Pivoting Woofer and Tweeter

- 7" Interlaced Glass Fiber Woofer
- 1" Teteron® Tweeter

SPECIFICATIONS SHEET

7 INCH DIRECTED SOUNDFIELD CEILING MOUNT LOUSPEAKER

7" Directed Soundfield Loudspeaker with Pivoting Woofer and Tweeter

CM760DS

Stock Number

FG01315



Features

- Fully pivoting, patented woofer assembly focuses the bass and midrange tones directly into the listening area (pivots up to 20°)
- Twist & Lock™ baffle and frame mechanism facilitates quick installation and trouble-free upgrades
- Integrated woofer/baffle design delivers greater low frequency response by employing a 7" woofer where competitive models employ 6 1/2" woofers
- Interlaced glass fiber cone is lightweight yet extremely rigid for deep, powerful bass response
- Butyl rubber surround damps resonance and provides exceptional durability
- 1" fluid-cooled Teteron® dome tweeter offers ultra-wide dispersion and silky-smooth high-frequency response
- Proprietary bridge-mounted tweeter-adjustment mechanism focuses the high frequency sound in any direction up to 20° without diffraction
- Includes flush-mount MicroPerf™ aluminum grille for a clean and unobtrusive look
- 2 position presence and 3 position tweeter level controls provide for precise matching to room acoustics
- Weather resistant construction reduces installation limitations and provides unique solutions in moist environments or outdoors under eaves

Specifications

- Frequency Response: 48Hz to 21kHz +/-3dB
- Impedance: 8 ohm nominal; 6 ohm minimum
- Recommended Amplifier Power: 10 to 150 Watts
- Frame Dimensions: 11 inches
- Hole cutout dimensions: 9 3/4 inches
- Depth behind ceiling: 5 7/8 inches

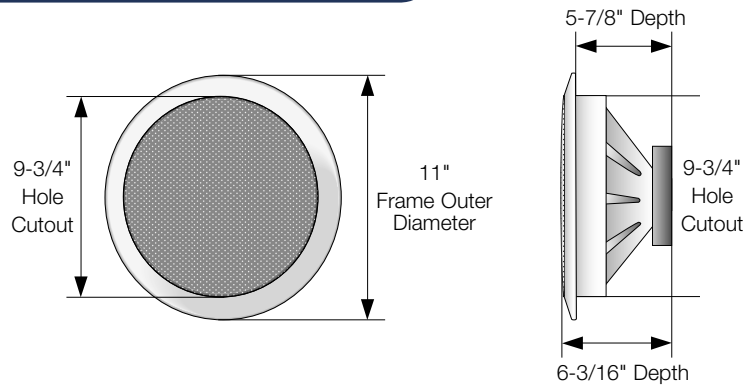
Warranty: Lifetime limited

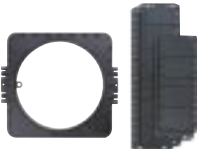
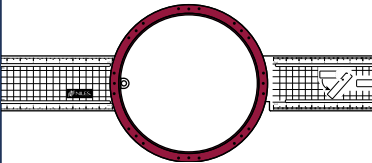


US Patent: 6,683,963



CES Innovations Design & Engineering Award

PRODUCT CONSTRUCTION AND ACCESSORIES



Loudspeaker Model		Works With			
Model	Stock Number	Previous Bracket	New Bracket	Metal Enclosure	Hole Cover
CM760DS	FG01315	 DS8 Series Bracket Kit FG01053	 CM700DS BKT FG01357	 CM700 DSCE FG01397	 CM700DS Hole Cover FG01318