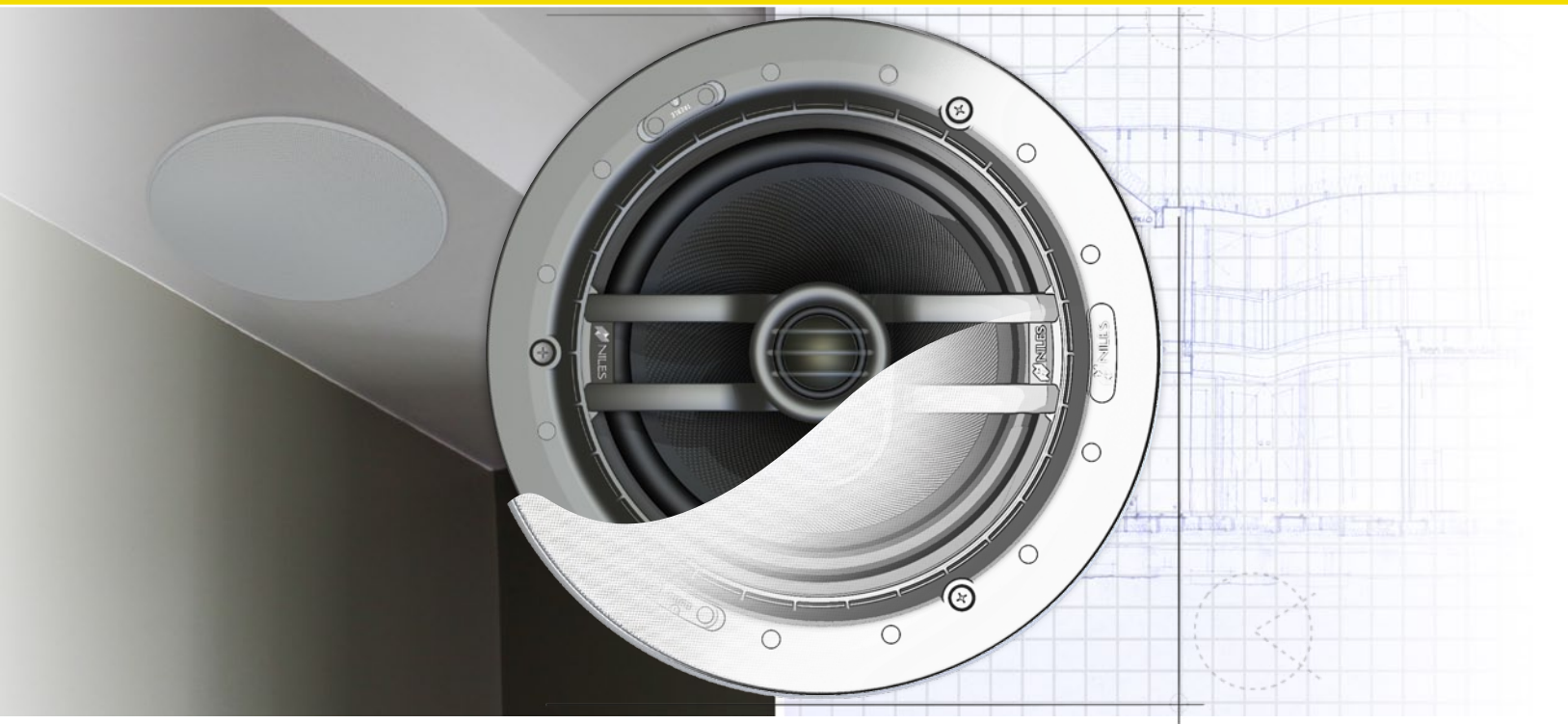


CM

CEILING MOUNT

Designer Aesthetics
Audiophile Performance
Installation Ease

MULTIPURPOSE LOUDSPEAKER SPECIFICATIONS SHEET



CM7MP 7" 2-WAY CEILING-MOUNT LOUDSPEAKER



Multipurpose loudspeakers are optimal for distributed audio applications. Durable glass fiber woofer cones and UltraSilk® soft dome tweeters provide smooth, pleasing sound throughout the sonic spectrum.

FEATURES AND BENEFITS

- **Designer Aesthetics** Magnetically attached MicroThin™ speaker grilles ensure a clean, virtually invisible appearance that blends with the room's aesthetics. Optional square grilles provide added design flexibility.
- **Superior Sound Quality** Precision tuned and voiced fixed woofer ceiling-mount loudspeakers provide graduated performance for all types of applications. Whether you are listening to background talk radio or a complete orchestra, Niles CM series delivers optimal performance and reliability.
- **Installation Ease** Three patent-pending spring tensioned mounting clamps permit quick installation and compensate for uneven mounting surfaces and varied environmental conditions. Weather-resistant construction enables installation in moist areas, such as bathrooms or outdoors under eaves.
- **Install With Confidence** The best-built loudspeakers deserve the best protection—the Niles Lifetime Limited Warranty.

2-WAY CEILING-MOUNT LOUDSPEAKERS

CM7MP

7" Two-Way Ceiling-Mount Multi-Purpose Loudspeaker with Pivoting Tweeter



Packaged Individually with Round MicroThin™ Grille

Stock Number

FG01656

FEATURES

- Integrated woofer/baffle design delivers greater low frequency response by employing a 7" woofer where competitive models of the same outer size employ 6 1/2" woofers
- Glass fiber woofer cone is light, strong and well damped to provide "best in class" bass response
- 1" fluid-cooled UltraSilk® soft-dome tweeter provides for clear and detailed high frequency response
- Proprietary bridge-mounted tweeter-adjustment mechanism focuses the high frequency sound in any direction up to 20° without diffraction
- Magnetically attached, rust-resistant grille covers install quickly and provide a low profile look
- Weather resistant construction reduces installation limitations and provides unique solutions in moist environments or outdoors under eaves



SPECIFICATIONS

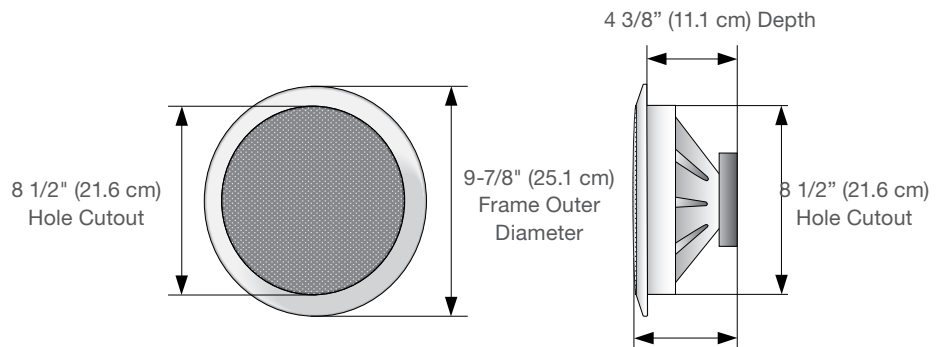
- Frequency Response: 55Hz to 21kHz +/-3dB
- Impedance: 8 ohm nominal; 6 ohm minimum
- Recommended Amplifier Power: 10 to 130 Watts

DIMENSIONS

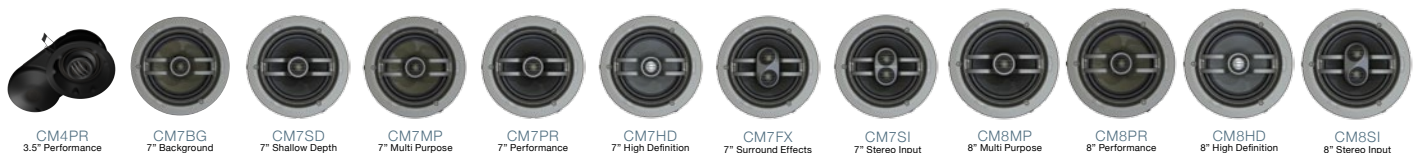
- Frame Dimensions: 9 7/8 inches (25.1 cm)
- Hole cutout dimensions: 8 1/2 inches (21.6 cm)
- Depth behind ceiling (5/8" drywall): 3 3/4" (9.5 cm)
- Shipping Weight: 5.4 lbs (2.4 kg)

WARRANTY: Lifetime Limited

RELATED PRODUCTS	
	SG7C Square Loudspeaker Grille Stock Number: FG01645
	NCB7C New Construction Bracket Stock Number: FG01647



BLENDING HIGH FIDELITY AND ARCHITECTURE®



1-800-BUY-HIFI - www.nilesaudio.com

©2011 The AVC Group, LLC. All Rights Reserved. Niles, the Niles logo and Blending High Fidelity and Architecture are registered trademarks of The AVC Group, LLC. MicroThin is a trademark of The AVC Group, LLC. All other trademarks are the property of their respective owners. We reserve the right to change features, descriptions, and/or specifications at any time without notice. CS0319A