



NILES®



CM850Si

8" STEREO INPUT

CEILING MOUNT LOUDSPEAKER



8" Stereo Input Ceiling Mount Loudspeaker with Pivoting Tweeter

- 8" TCC™ (Talc, Carbon, and Ceramic-Filled) Dual Voice Coil Woofer
- Dual 1" Teteron® Tweeters

SPECIFICATIONS SHEET

8 INCH STEREO INPUT CEILING MOUNT LOUDSPEAKER

8" Stereo Input Loudspeaker with Pivoting Tweeter

CM850Si

Stock Number

FG01482



Features

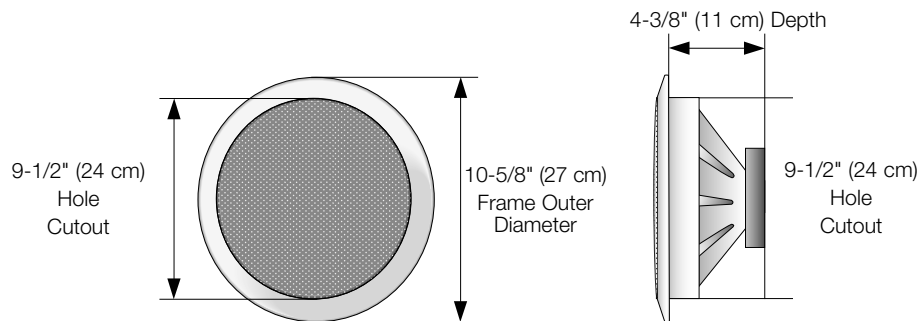
- Integrated woofer/baffle design delivers greater low frequency response by employing an 8" woofer
- Dual voice coil, injection-molded TCC™ (talc, carbon and ceramic) filled woofer reproduces left and right channel inputs from a single speaker
- Butyl rubber surround damps resonance and provides exceptional durability
- Dual 1" pivoting fluid-cooled Teteron® dome tweeters provide wide dispersion for clear and detailed high frequencies
- Bridge-mounted stereo imaging (SI) tweeter array directs the high frequency sounds from both the left and right channels at opposing angles to preserve stereo separation
- Includes flush-mount MicroPerf™ aluminum grille for a clean and unobtrusive look
- Weather resistant construction reduces installation limitations and provides unique solutions in moist environments like bathrooms or outdoors under eaves

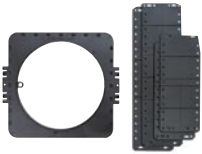



Specifications

- Frequency response: 50Hz to 21kHz +/-3dB
- Impedance: 8 ohm nominal; 6 ohm minimum
- Recommended amplifier power: 10 to 150 watts
- Frame dimensions: 10 5/8" diameter (27 cm)
- Hole cutout dimensions: 9 1/2" diameter (24 cm)
- Depth behind ceiling: 4 3/8" (11 cm)

Warranty: Lifetime Limited

PRODUCT CONSTRUCTION AND ACCESSORIES



Loudspeaker Model		Works With			
Model	Stock Number	Previous Bracket	New Bracket	Metal Enclosure	Hole Cover
CM850Si	FG01482	 CM8 Series Bracket Kit FG00656	 CM800 BKT FG01487	 CE 8 FG00946	 CM800 Hole Cover FG01488