

# CM860

## 8" CEILING MOUNT LOUDSPEAKER



### 8" Two-way Loudspeaker with Pivoting Tweeter

- 8" Interlaced Glass Fiber Woofer
- 1" Teteron® Tweeter

## 8 INCH DIRECTED SOUNDFIELD CEILING MOUNT LOUSPEAKER

### 8" Two-way Loudspeaker with Pivoting Tweeter

CM860

Stock Number

FG01481



#### Features

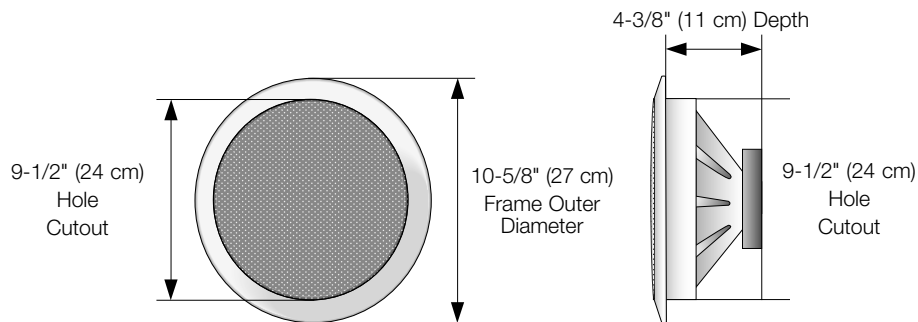
- Integrated woofer/baffle design delivers greater low frequency response by employing an 8" woofer
- Interlaced glass fiber cone is lightweight yet extremely rigid for deep, powerful bass response
- Butyl rubber surround damps resonance and provides exceptional durability
- 1" fluid-cooled Teteron® dome tweeter offers enhanced dispersion and silky-smooth high frequency response
- Proprietary bridge-mounted tweeter pivot mechanism focuses the high frequency sound in any direction up to 20° without diffraction
- Three-position tweeter level control for precise matching to room acoustics
- Includes flush-mount MicroPerf™ aluminum grille for a clean and unobtrusive look
- Weather resistant construction reduces installation limitations and provides unique solutions in moist environments like bathrooms or outdoors under eaves

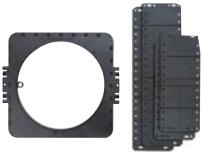



#### Specifications

- Frequency response: 49Hz to 21kHz +/-3dB
- Impedance: 8 ohm nominal; 6 ohm minimum
- Recommended amplifier power: 10 to 150 watts
- Frame dimensions: 10 5/8" diameter (27 cm)
- Hole cutout dimensions: 9 1/2" diameter (24 cm)
- Depth behind ceiling: 4 3/8" (11 cm)

**Warranty: Lifetime Limited**

## PRODUCT CONSTRUCTION AND ACCESSORIES



Loudspeaker Model		Works With			
Model	Stock Number	Previous Bracket	New Bracket	Metal Enclosure	Hole Cover
CM860	FG01481	 CM8 Series Bracket Kit FG00656	 CM800 BKT FG01487	 CE 8 FG00946	 CM800 Hole Cover FG01488