

*Trimec reserves the right to update technical data without notice  
VRP - 24.2.05*

## Electrical

243 mA at 12 Volt DC – 187mA at 24 Volt DC  
Solenoids are rated for continuous use.

## Monitoring

None

## Mechanical

Compliant with AS 4145.2 and UL 1034 Approved  
Cycle tested to 1,000,000 operations  
Suitable for 18 mm latch tongue with 3 mm door gap

## Warranty

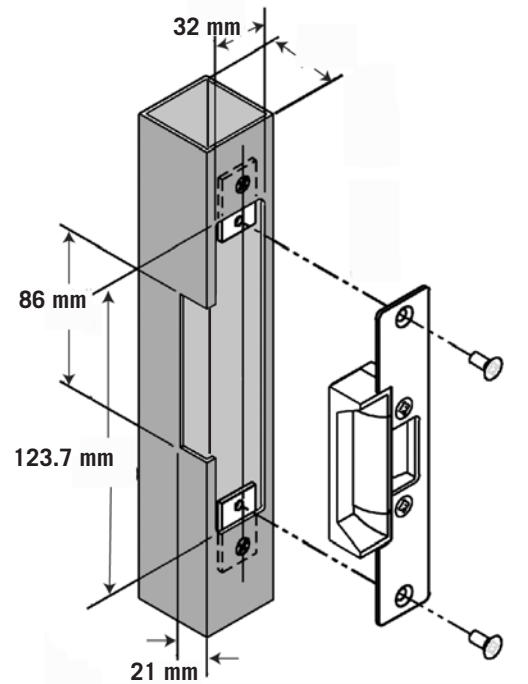
Protected by **TRIGARE** 5 year warranty

## Environmental

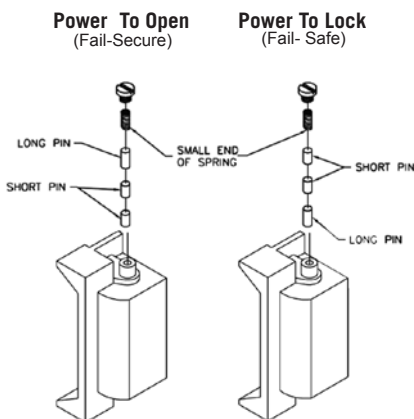
Operational temperature range -20C to + 60C  
Weather resistant construction available.  
(IP56).

## Shipping

Product weight	= 162 gms
Product weight with box	= 195 gms
Shipping size of box	= 205 x 48 x 38 mm



## Patented Innovation - as easy as this

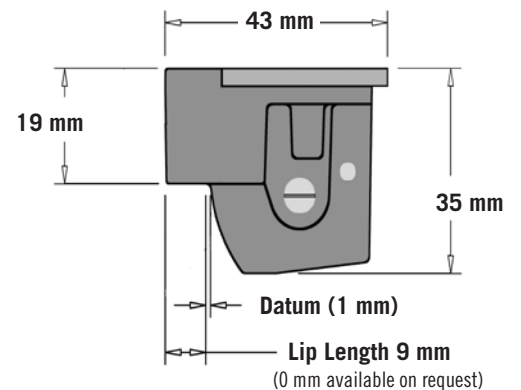


### Power To Open:

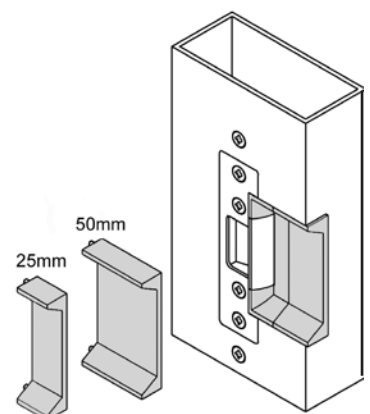
When power is supplied to the strike, the unit is unlocked. If power fails, the strike is locked and the door is secured.

### Power To Lock:

When power is supplied to the strike, the unit is locked. If power fails, the strike is unlocked, and the door is safe (unlocked) for exit.



## Extension Lips



## Specification Statement

The electric strike should be of a type which is unaffected by vibration and offer a minimum 5 years warranty. Where "Power to Lock" and "Power to Open" functions may be required in the same installation, the electric strike should be interchangeable from either "Power to Lock" or "Power to Open" at site. The strike should not consume current greater than 243 mA at 12 Volt or 187 mA at 24 Volt and have a solenoid suitable for continuous use. The face-plate of the electric strike should have an architectural finish of brushed anodised aluminum or brushed stainless steel.

## Distributed By: