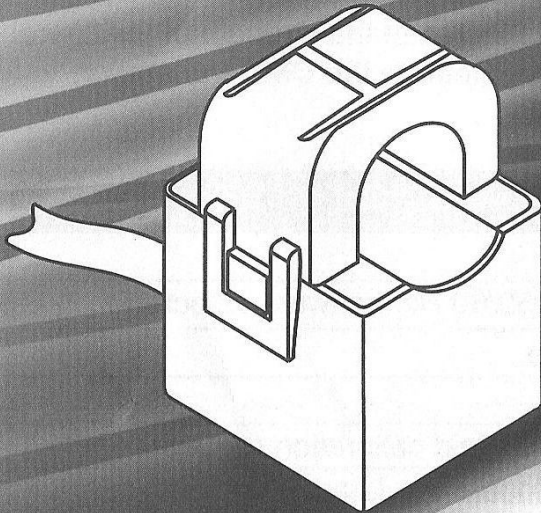


CLIPSAL®

by Schneider Electric



Current Transformer 5100CT80

Installation Instructions

Description

5100CT80 Current Transformer, Split-core, 0 – 80 A

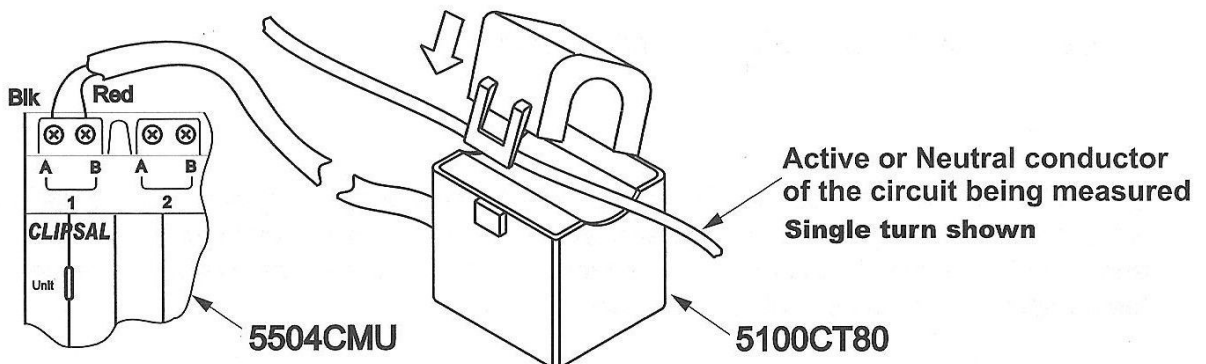
The 5100CT80 Current Transformer (CT) is used only with the C-Bus Current Measurement Unit (CMU), 5504CMU. Up to four CTs can be connected to a CMU. The CT is clipped over the line or neutral conductor (not both) of the circuit being measured. The CT connects to one of the four two-screw terminals on the CMU. Refer to the C-Bus Current Measurement Unit Installation Instructions for details.

Safety

- Do not place the CT on wires that have cracked or broken insulation.
- Do not use the CT where ambient temperatures exceed 50° C.
- The CT is to be used only with the 5504CMU Current Measurement Unit.
- Do not use the CMU and CT to determine if line voltage is present.
- Do not lengthen the CT lead wires. You may shorten them.

Installation

The CT has a split core and a hinged body that allows the CT to be clipped on a conductor without turning off or disconnecting the circuit being measured. The CT can be quickly removed from one circuit and placed on a different circuit, if needed. See the figure below.



For low-current applications you can use multiple turns to increase the strength of the signal sent to the CMU. The software supports this configuration. Refer to the CMU Installation Instructions.

Specifications	
Parameter	Value
Measurement range	0 – 80 A or 0 – 40 A, a.c. 50/60 Hz, software selectable
Accuracy	2.5 percent over full range
CTs per CMU	Up to 4, one per channel
Calibration	Calibrated at the factory. No field calibration required.
Connections	2 wires (red and black), double insulated
Wiring lead length	102 cm
Isolation	3.75 kV a.c. for 1 minute
Dimensions	30 mm wide x 43 mm high x 28 mm deep
Aperture	15 mm nominal diameter
Weight	78 g
Construction	High-impact plastic case with hinge and clip
Operating ambient temperature	0° C to 50° C

For indoor use with the 5504CMU.

Two-Year Warranty

The 5100CT80 Current Transformer carries a two-year warranty against manufacturing defects. For all warranty enquiries, contact your local Clipsal or Schneider Electric sales representative. The address and contact number of your nearest office can be found at <http://www.clipsal.com>

Clipsal Australia Pty Ltd

A member of Schneider Electric

clipsal.com

Technical Support email: cis.support@clipsal.com.au

Contact us: <http://www.clipsal.com/feedback>



Schneider Electric reserves the right to change specifications, modify designs and discontinue items without incurring obligation and while ever effort is made to ensure that descriptions, specifications and other information in this instruction sheet are correct, no warranty is given in respect thereof and the company shall not be liable for any error therein.