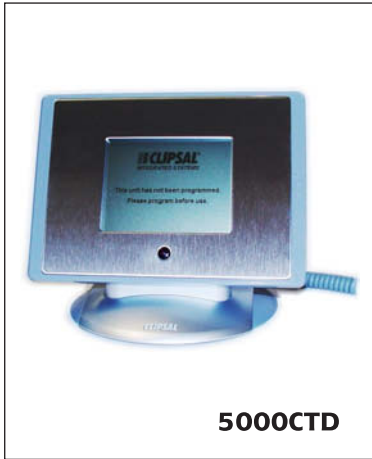


## 5000CTD

### C-Touch Monochrome Touch Screen with Stand



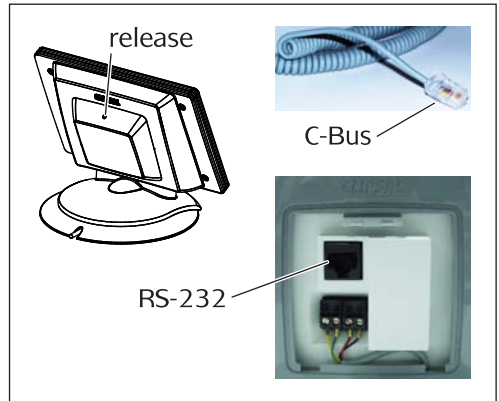
The 5000CTD is a model of the C-Touch Monochrome Touch Screen mounted in a stand. The unit is suitable for desktop use, and can be fixed to a surface using appropriate fasteners (holes are provided in the unit's base).

Parameter	Description
Dimensions (W×H×D)	171 × 141 × 144 mm
Base diameter	140 mm
Mounting centres	70.5 mm
Mounting hole size	5.2 × 7.2 mm
Weight	1005 g

#### Programming Access

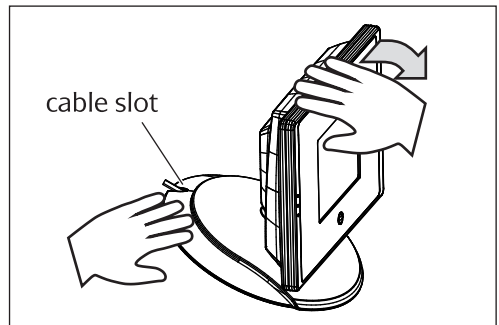
Programming is accomplished via an RJ45 RS-232 socket located behind the back cover.

To release the back cover, push a thin object (such as an opened paper clip or match stick) into the hole on its top. This will release the cover, providing access to the RJ45 RS-232 socket.



#### Detaching the Base

- 1) Place the unit on a flat surface.
- 2) Turn the grey part of the base so the cable slot points out from the back of the unit.
- 3) Hold the grey part of the base with one hand and the top of the screen with the other.
- 4) Pull the unit forward so the screen section lifts up and off the rear of the base.



## Attaching the Base

- 1) Start with the base on a flat surface.
- 2) Position the unit over the base with the cable slot pointing out from the back of the unit.
- 3) Feed the cable into the cavity so that less than 5 cm protrudes out.
- 4) Two clips protrude from the bottom of the screen unit. Align the outermost clip to its mating slot on the base, and insert slightly.
- 5) Align the innermost clip to its mating slot on the base, and gently push the screen unit onto the base.



If you have difficulty because the cable gets in the way, try rotating the screen 360° to unkink the cable.

