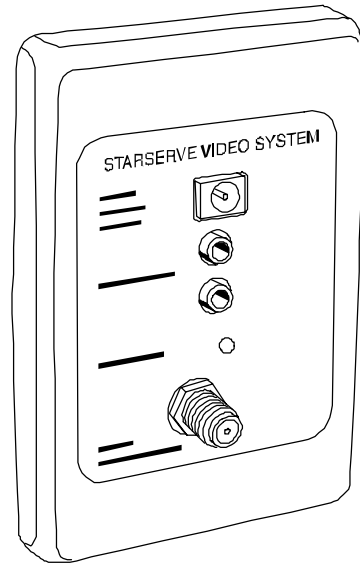




## StarServe IR/RF Controller Installation Instructions

2031RFT Series



## Table of Contents

Section	Page
1.0 Product Range .....	3
2.0 Description .....	3
3.0 Features .....	3
4.0 Installation Instructions .....	4
5.0 Important Warning .....	5
6.0 Product Specifications .....	6

### Copyright Notice

© 2001 Copyright Clipsal Integrated Systems Pty Ltd. All rights reserved.

### Trademarks

- Clipsal is a registered trademark of Gerard Industries Pty Ltd.
  - StarServe is a registered trademark of Clipsal Integrated Systems Pty Ltd
  - Home Management Series is a registered trademark of Clipsal Integrated Systems Pty Ltd
- All other logos and trademarks are the property of their respective owners.

### Disclaimer

Clipsal Integrated Systems reserves the right to change specifications or designs described in this manual without notice and without obligation.

## 1.0 Product Range

2031RFT	StarServe IR/RF Controller, 2000 Series Plate
C2031RFT	StarServe IR/RF Controller, C2000 Series Plate
SC2031RFT	StarServe IR/RF Controller, Slimline Series Plate
SL2031RFT	StarServe IR/RF Controller, Eclipse Series Plate
B2031RFT	StarServe IR/RF Controller, Metal Plate Series, Stainless Steel
BB2031RFT	StarServe IR/RF Controller, Metal Plate Series, Brushed Brass
E2031RFT	StarServe IR/RF Controller, Export Series Plate (Power Supply Not Included)

## 2.0 Description

The 2031RFT StarServe IR/RF Controller series of wall plates provide an infrared interface for the 8053/8VHPIR StarServe Video Distribution Hub. Just add Targets and Emitters and you're done!

The 2031RFT StarServe IR/RF Controller consists of an IR engine, RF input/output ports, 2 IR emitter ports and a power jack. The unit provides infrared output signals via the IR emitter ports to control audio visual equipment. The unit may also be used to provide remote power for the 8053/8VHPIR StarServe Video Distribution Hub.

## 3.0 Features

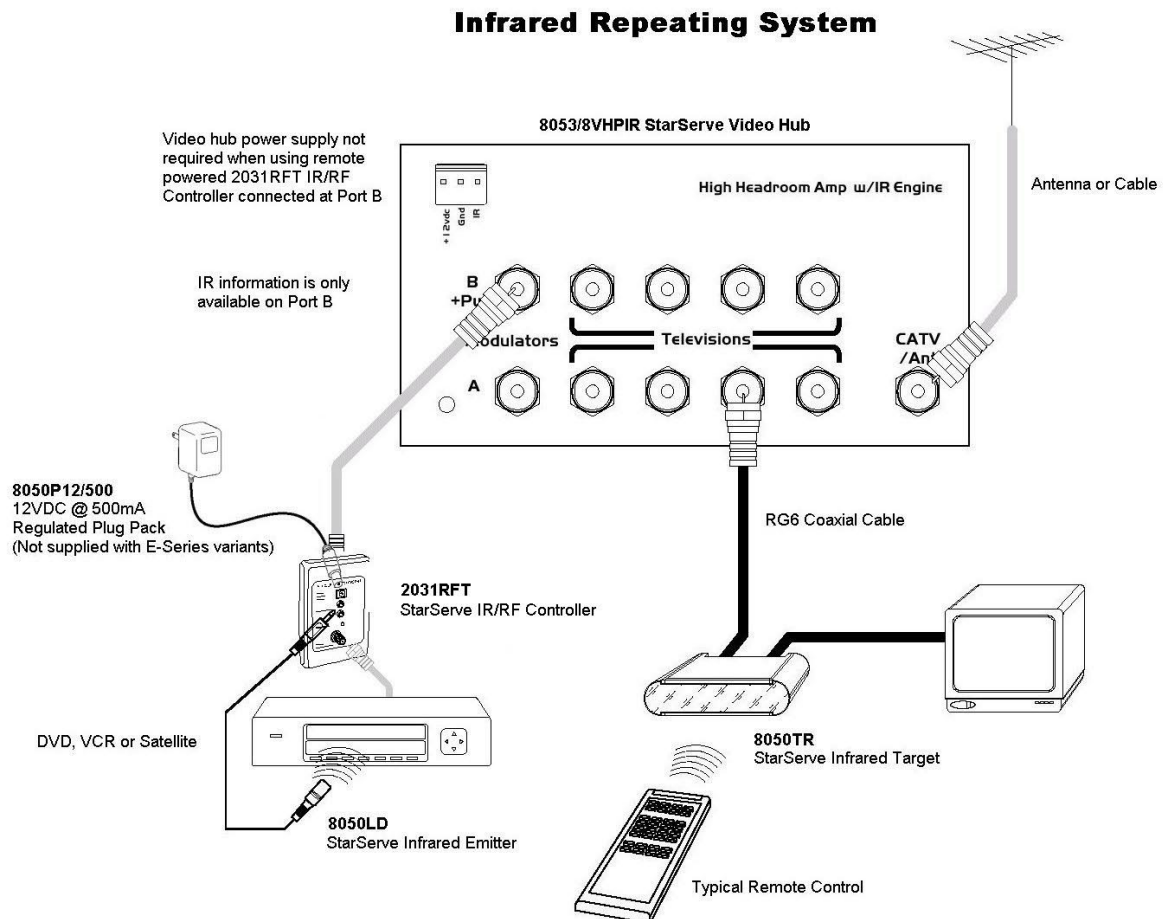
- Designed for use in whole-house infrared control applications using Clipsal StarServe
- Add Infrared control capabilities to the 8053/8VHPIR StarServe Video Distribution Hub
- Provides remote power to the 8053/8VHPIR StarServe Video Distribution Hub
- Able to connect modulated video source, and two 8050LD or 8050/2LD Emitter Leads
- Compliant with FCC Part 15 requirements

## 4.0 Installation Instructions

The 8053/8VHPIR StarServe Video Distribution Hub supports whole house infrared services. To control your audio/visual devices, add StarServe components as shown below. You will need:

- a 2031RFT StarServe IR/RF Controller,
- an 8050TR StarServe IR Target and
- an 8050LD StarServe IR Emitter.

Point a remote control at the Target in the bedroom and IR pulses are repeated by the Emitter, controlling the VCR player centrally located in the den. Any or all of the television ports may have Targets connected.



Infrared Repeating System using StarServe IR/RF Controller

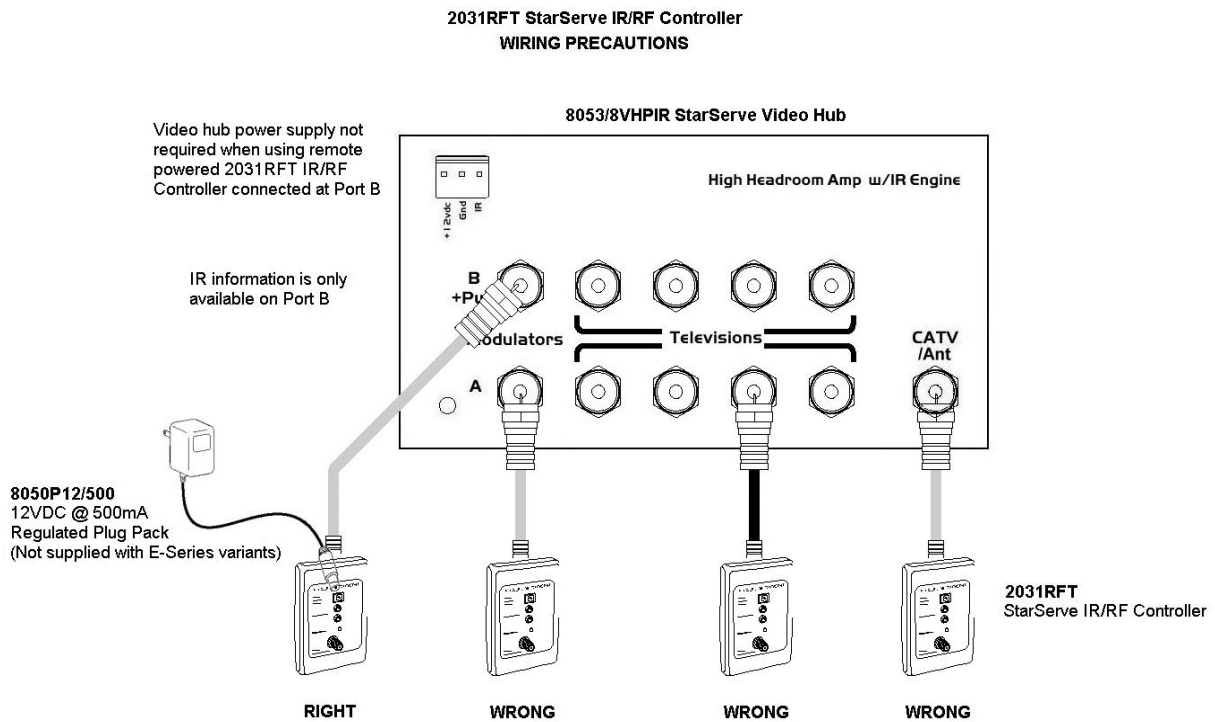
### NOTE:

- Example uses 2031RFT StarServe IR/RF Controller. Controller must be connected to Port B+PWR on the 8053/8VHPIR for IR services to function.
- The StarServe IR/RF Controller provides remote power for the Video Hub. The Video Hub Power Pack is not required in this case.
- A maximum of two 8050LD or 8050/2LD StarServe Infrared Emitters may be connected to the IR/RF Controller.
- Only one 2031RFT StarServe IR/RF Controller is permitted per 8053/8VHPIR Video Hub installed.
- The 2031RFT StarServe IR/RF Controller has a built in circuit breaker. If the LED on the unit is not glowing, cycle the power to reset the breaker (unplug power supply, then plug back in).

## 5.0 Important Warning

Incorrect connection of IR peripheral devices may damage the 8053/8VHPIR StarServe Video Hub. Please observe the following rules in designing any StarServe system.

- Always use high quality RG6 coaxial cable
- Single piece (hex) crimp coaxial connectors are preferred
- Never connect 2031RFT IR/RF Controller Series wall plate to Video Hub output port (this unit must only ever be connected to “B+Pwr” input port of the Video Hub).
- Never connect 75 Ohm terminators, passive splitter or other similar devices without first inserting an in-line DC Blocking Capacitor. Otherwise, select DC Passing devices.



**A MAXIMUM OF ONE ONLY 2031RFT STARSERVE IR/RF CONTROLLER MAY BE INSTALLED PER 8053/8VHPIR VIDEO HUB**

## 6.0 Product Specifications

Catalogue No.		2031RFT
<b>RF Ports</b>	RF Input	1 x F-Type
	RF Output	1 x F-Type
<b>IR Emitter Ports</b>	Voltage Range	5VDC
	Number of Emitter Ports	2
	Connector Type	3.5mm Stereo Jack
<b>Power Supply</b> (Not supplied with E-Series variant)	Model Number	8050P12/500
	Output Current	500mA (300mA minimum)
	Output Voltage	12VDC REGULATED
	Input Power	240VAC / 50Hz
<b>Mechanical Details</b>	Dimensions	116 x 76 x 60mm (LxWxD)
	Shipping Weight	0.75kg
	Operating Temperature	0 – 50°C
	Operating Humidity	10 – 95% RH
Specifications typical @ 25°C ± 5°C		
No user serviceable parts inside.		

### DECLARATION OF CONFORMITY

THIS DEVICE COMPLIES WITH PART 15 OF THE FCC RULES. OPERATION IS SUBJECT TO THE FOLLOWING TWO CONDITIONS: (1) THIS DEVICE MAY NOT CAUSE HARMFUL INTERFERENCE, AND (2) THIS DEVICE MUST ACCEPT ANY INTERFERENCE RECEIVED, INCLUDING INTERFERENCE THAT MAY CAUSE UNDESIRE OPERATION.

### Installation Requirements:

FCC classifies this product under part 15 of its rules as a “television interface device”. Systems designed using television interface devices have the following legal requirements:

- 1) The modulated channel signal strength may not exceed 15.56dBmV at any television. *Federal Regulation 47CFR15.115(b)(1)(i)*.
- 2) If an antenna is used in the system, the modulated channel signal strength may not exceed –51dBmV at the antenna input port. *Federal Regulation 47CFR15.115(c)(4)*.

The system you design must comply with these regulations. As the installer, you are responsible. The easiest way to be fully compliant is to use a pre-configured StarServe panel. StarServe panels have the necessary isolation from the modulator input ports to the antenna input port and gain characteristic from the modulator input ports to the television output ports. These features will make your modulator comply with the above requirements.



## Further Information

For further information about Clipsal StarServe, please consult the documentation supplied. Further assistance can be obtained as follows:

- **StarServe Installers Guide**

A printed booklet containing detailed information for the installer regarding StarServe system design.

- **Technical Support and Troubleshooting**

For further assistance in using Clipsal StarServe, please consult your nearest Clipsal Integrated Systems Sales Representative or Technical Support Officer.

**Technical Support Hotline**

**1300 722 247 (Cost 25c per Call)**

**Technical Support Email**

[techsupport.cis@clipsal.com.au](mailto:techsupport.cis@clipsal.com.au)

**Sales Support Email**

[sales.cis@clipsal.com.au](mailto:sales.cis@clipsal.com.au)

**Clipsal Integrated Systems Website**

[clipsal.com/cis](http://clipsal.com/cis)

## Products of Clipsal Integrated Systems Pty Ltd

ACN 089 444 931 ABN 15 089 444 931

### Head Office

12 Park Terrace, Bowden

South Australia 5007

International Phone +61 8 8269 0560

International Fax +61 8 8346 0845

Internet [clipsal.com/cis](http://clipsal.com/cis)

E-Mail [cis@clipsal.com.au](mailto:cis@clipsal.com.au)

1036877