



MOBOTIX On-Wall Mounting Set MX-MT-OW-1 with mounting supplies

On-Wall Mounting Set with installed MX-Output-Box (not included)

Cable fittings for on-wall installation

On-Wall Mounting Set for MOBOTIX c25/p25



Set for on-wall installation of MOBOTIX cameras c25/p25 (not included), for wall, ceiling or upright installation

- On-Wall Mounting Set for MOBOTIX cameras c25/p25 (not included)
- For concealed cabling from the rear or on-wall cabling from the side
- Up to two interface boxes can be installed inside (e.g., MX-Overvoltage-Protection-Box, MX-Input-Box, MX-Output-Box, not included)

Standard Delivery



Item	Count	Part Name
1.1	1	On-Wall Mounting Set with two threaded plugs (installed)
1.2	2	Threaded plugs (installed)
1.3	2	Plastic nut (installed)
1.4	2	Cable fitting
1.5	1	Mounting ring
1.6	1	Sealing
1.7	2	Cable ties
1.8	4	Washer 4.3 mm dia., stainless steel
1.9	4	Wood screw 4 x 40 mm, stainless steel
1.10	4	Screw anchor S6
1.11	3	Washer dia. 5.3 x 20 mm, stainless steel (not used here)
1.12	1	Torx wrench TX6

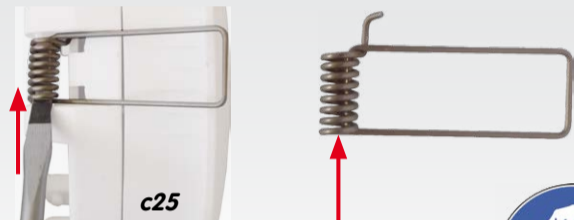
Preparing the Camera

1. Remove the back cover (older p25 models only)

If the back cover of a p25 is held by spring clips, remove the back cover before proceeding.

2. Remove three spring clips

Put on safety glasses for this step. Using a small flat-head screwdriver, push against the clip as indicated by the red arrow. Then lift the spring clip from its seating on one side. The clips can now be removed easily.



Wear safety glasses!



3. Attach mounting ring

Position the mounting ring (item 1.5) on the camera from below as shown. Make sure that the triangular mark of the mounting ring (colored red in the image) points towards the red dot on a c25 or in the direction of the lens of a p25.



4. Complete optional tasks

You can now complete the following tasks as shown in the camera documentation:

- Exchange the supplied microSD by a card with more storage capacity.
- Attach MX-Bus-IO-Module to camera (e.g., for interface boxes with MxBus connection).
- Connect MxBus wires and USB cables.

Preparing the On-Wall Mounting Set

Exchange the Cable Fittings (optional)

If you are running the cables from the side and not from the rear, you should exchange one or both of the threaded plugs against the supplied cable fittings. To unscrew the plug, use a suitable coin. It is recommended to hold the plastic nut from the inside and immediately screw in the cable fitting from the outside.

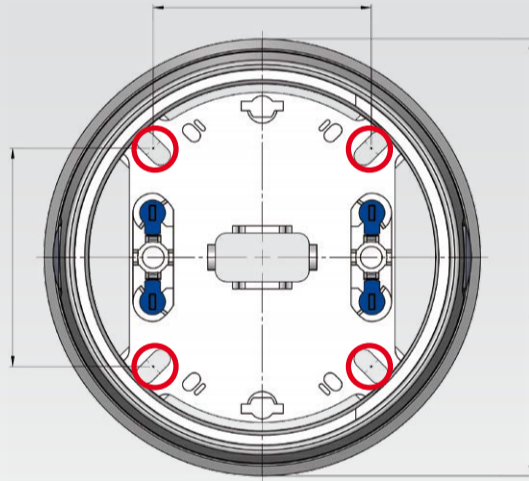


Prepare the Interface Boxes (optional)

You can install the boards of up to two interface boxes inside the on-wall set. First, remove the lid of the interface box (three screws). Remove the two screws (red arrows in the figure) using the supplied Torx wrench TX6 (Pos. 1.12) and remove the board.



Drill the holes using the drilling template on the back of this document and insert the supplied dowels, if required.



Lead the cables from the rear or from the side to the installation site.

Prepare the installation of the on-wall set

Make sure that there is enough space for installing the On-Wall Mounting Set and that you can access it from the rear or the side later on. The surface should be even and smooth so that the sealing lies flat properly.

Installing the On-Wall Mounting Set

Install the on-wall socket

- Place the sealing onto the rear of the on-wall socket as shown. Make sure that the holes in the sealing are exactly on top of the holes in the back plate of the on-wall socket (red arrows in the figure).
- If required, lead the cables from the rear through the on-wall socket and the sealing.
- Hold the on-wall socket and the sealing over the holes you drilled and attach the on-wall socket using the supplied screws with washers 4.3 mm dia. (item 1.8, torque 0.4 Nm).



Connect the camera

- If you are using interface boxes, connect the corresponding wires to the camera.
- **Note:** Please follow the instructions on installing the interface box in the corresponding documentation.
- Connect the network cabling of the camera.
- If required, secure loose cables and wires using cable ties (item 1.7, see figure).



Insert the camera

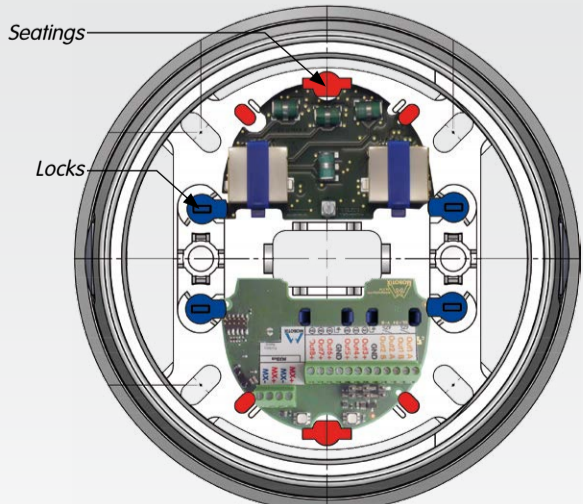
- Position the camera with attached mounting ring onto the on-wall socket. Make sure that the camera is roughly pointing into the viewing direction. Take care that no cables or wires are crushed between the mounting ring and the rim of the on-wall socket.
- Position your fingers on the four spots indicated by the red circles in the figure and firmly press the camera into the On-Wall Mounting Set. A loud click indicates that the camera is fully inserted.



- Turn the camera so that it points into the proper direction.

Finish the Installation

- Establish the power supply to the camera and bring the camera into service as described in the corresponding camera manual.
- Check the live image and adjust the camera, if required.



Removing the Camera

1. Turn camera to the mark

Turn the camera until the two LEDs of a c25 are perpendicular to the mark above the threaded plug (highlighted red in the figure). When using a p25, the lens should point into that direction.



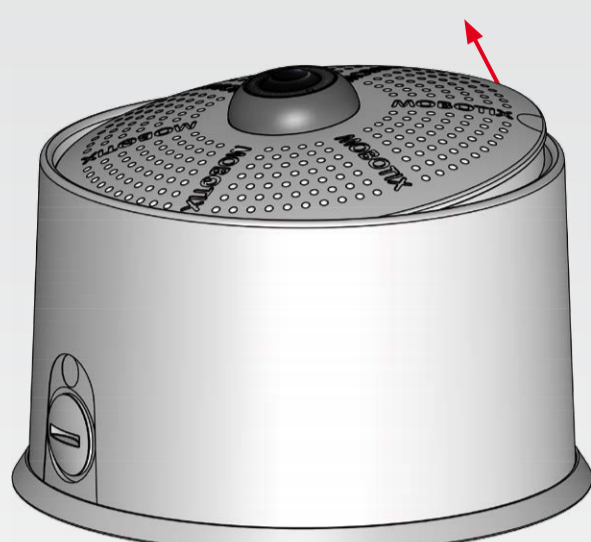
2. Firmly press down

Place two thumbs at the positions indicated by the red circles in the figure, then firmly press the camera into the on-wall socket. The camera tilts inwards and the opposite side comes up.

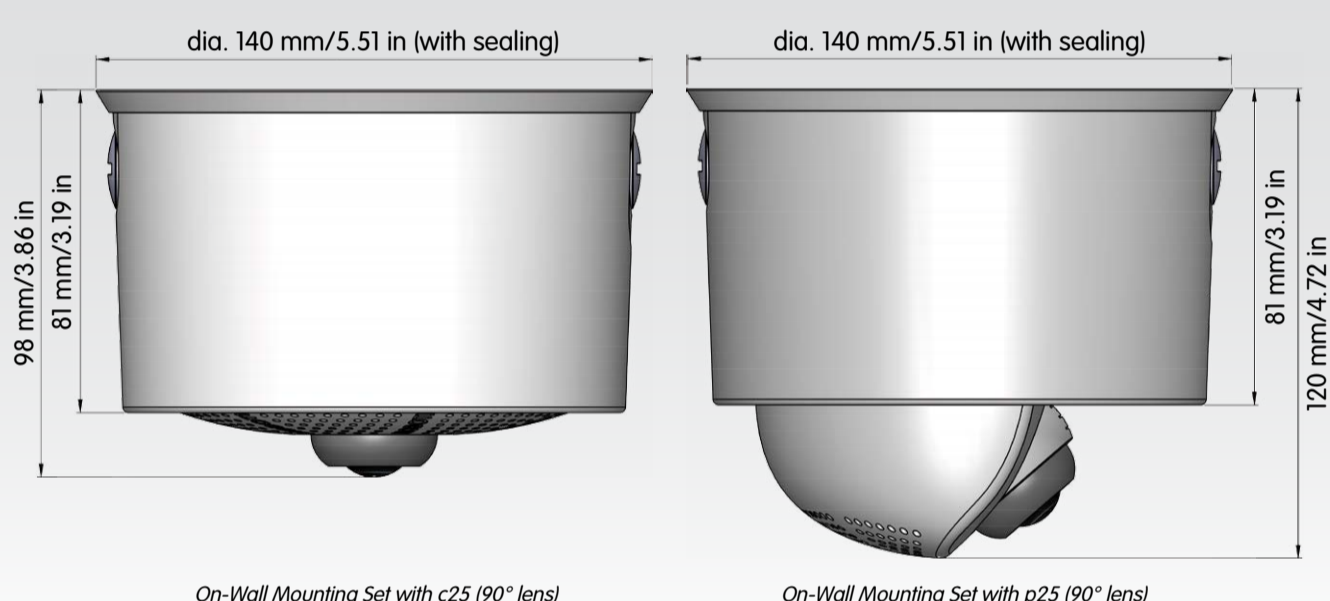


3. Pull out the camera

You can now remove the camera from the On-Wall Mounting Set. Remove the network cable and any other cables or wires attached to the camera.



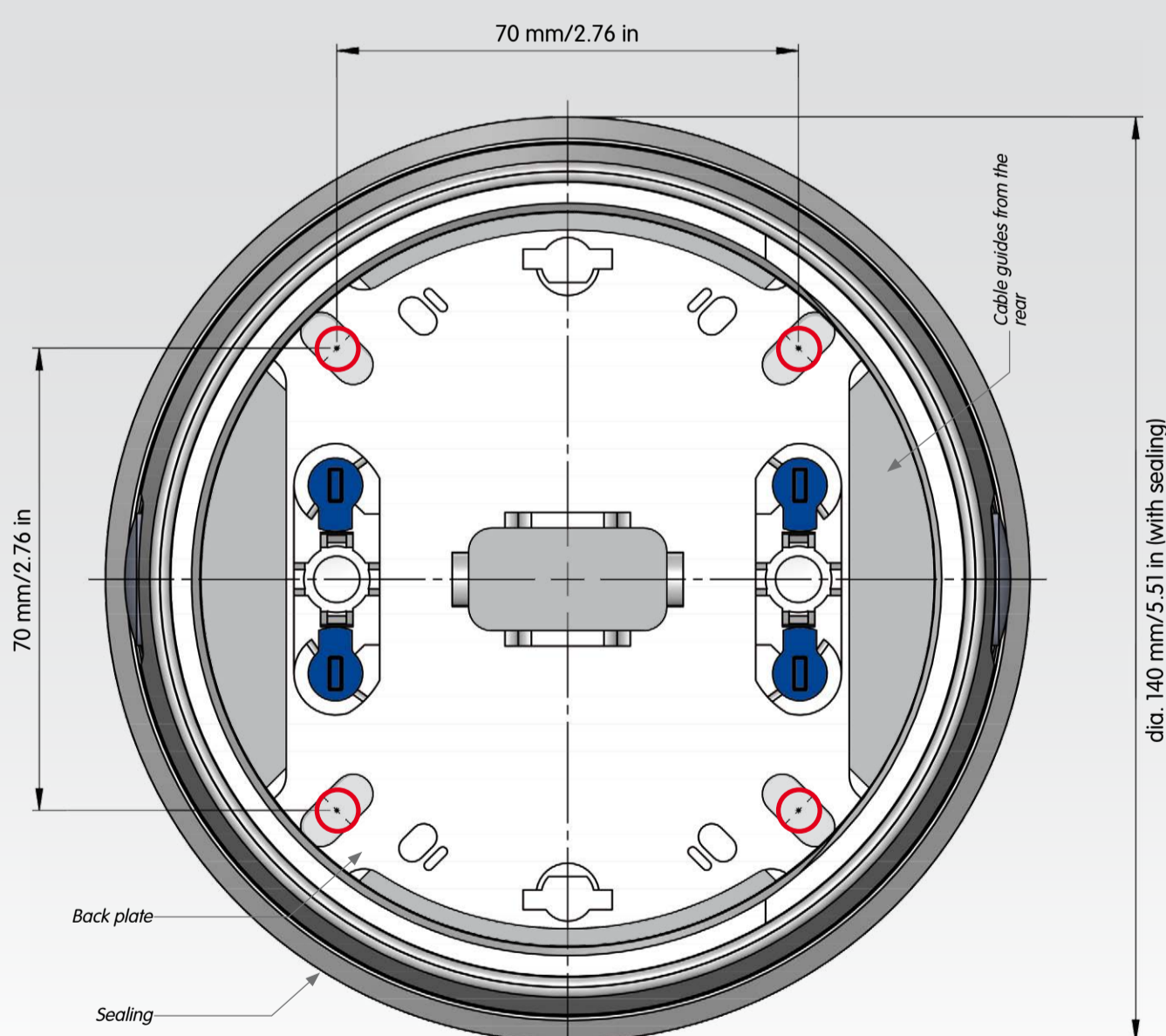
Dimensions with Installed Camera



On-Wall Mounting Set with c25 (90° lens)

On-Wall Mounting Set with p25 (90° lens)

Dimensions/Drilling Template



Safety Warnings

- This product must not be used in locations exposed to the dangers of explosion.
- The On-Wall Mounting Set is only to be used in combination with the MOBOTIX cameras of the c2x and p2x series.
- Make sure that you install this product as outlined in the installation instructions above.
- Electrical systems and equipment may only be installed, modified and maintained by a qualified electrician under the direction and supervision of a qualified electrician in accordance with the applicable electrical guidelines. Make sure to properly set up all electrical connections.
- Only install this product in or on suitable, solid materials that provide for a sturdy installation of the fixing elements used.
- When using an MOBOTIX interface box (e.g., MX-Input-Box, MX-Output-Box), the installation instructions of these boxes are also to be followed.
- For the On-Wall Mounting Set, the same operating conditions apply as for the installed MOBOTIX camera.

Technical Specifications

On-Wall Mounting Set	
Dimensions	Total diameter (with sealing) 140 mm/5.51 in, height without camera: 81 mm/3.19 in, height with c25 and 90° lens: 98 mm/3.86 in, height with p25: 120 mm/4.72 in
Operating Conditions	Same as for installed MOBOTIX camera
Materials	Housing: PBT GF30
Weight	223 g



The MOBOTIX YouTube Channel
www.youtube.com/user/MobotixAG

Innovations – Made in Germany

The German company MOBOTIX AG is known as the leading pioneer in network camera technology and its decentralized concept has made high-resolution video systems cost-efficient.

MOBOTIX AG • Security-Vision-Systems • D-67722 Langmeil • Phone: +49 6302 9816-103 • Fax: +49 6302 9816-190 • sales@mobotix.com