

PASSIVE INFRARED DETECTOR

# RX-40QZ

**FEATURES**

- 40ft. - 40ft.(12m - 12m)Wide Angle
- QUAD Zone Logic
- Patented Multi-focus Lens
- Improved Sealed Optics
- Temperature Compensation Logic

**EASY INSTALLATION**

- Easy Wiring Knockout
- Wiring Guide
- Spare Terminal
- Wide Wiring Space

**FUNCTION**

- Selectable Pulse Count(2 or 4)
- LED ON/OFF
- Tamper Switch

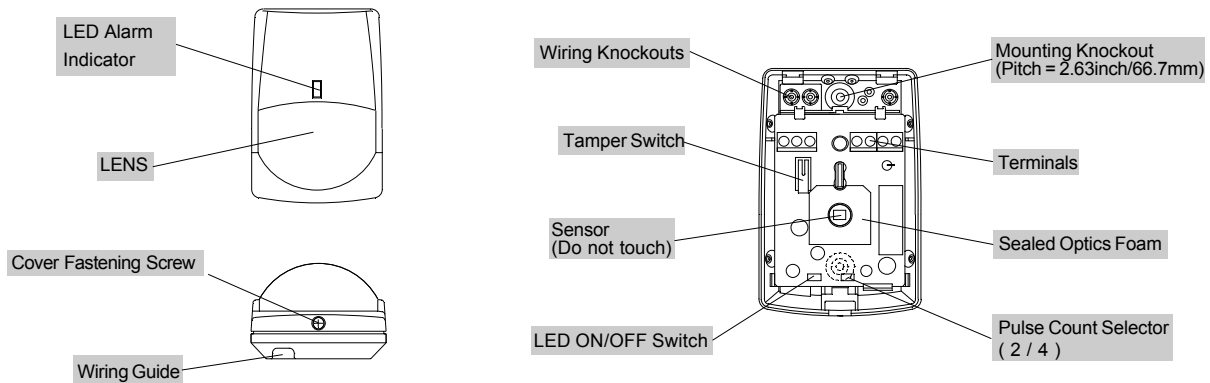
**OPTION**

- FL-60N Long Range Curtain Lens(60ft/18m)
- FA-3 Wall & Ceiling Mount Bracket (Horizontally  $\pm 45^\circ$  & Vertically  $0^\circ - +5^\circ$ )

## 1. INSTALLATION HINTS

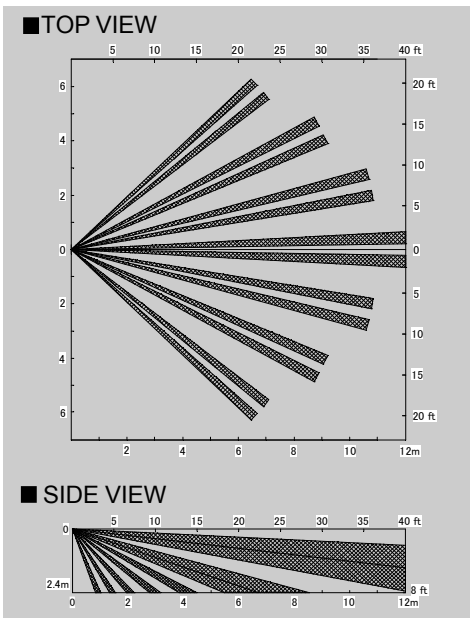
- (1) Avoid direct sunlight.
- (2) Avoid looking directly at air conditioning or heating vents.
- (3) Avoid vapor or high humidity that can cause condensation.
- (4) Avoid Curtain,Screen,etc. blocking detection area.
- (5) Do not install outdoors.

## 2. DESCRIPTION AND OPERATION

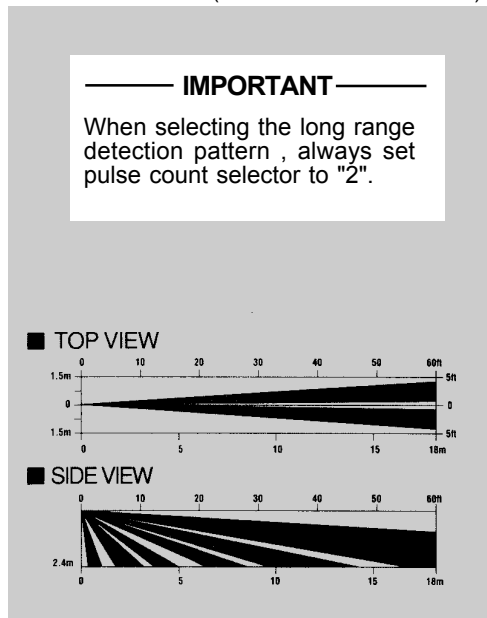


## 3. DETECTION AREA

**WIDE ANGLE**

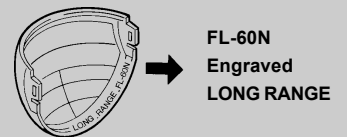


**LONG RANGE (OPTIONAL LENS : FL-60N)**



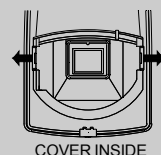
**■ PATTERN AREA SELECTION**

Use the optional lens FL-60N for long range area.



**■ HOW TO REMOVE & FIT LENS**

To remove , press both lens hooks to outside and push to the front.  
To fit , press the lens into cover from the front .

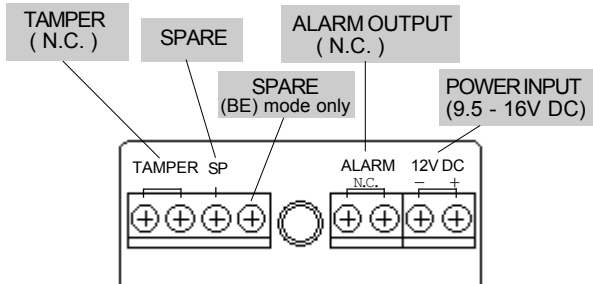


## 4. WIRING

Power wires should not exceed the following lengths.

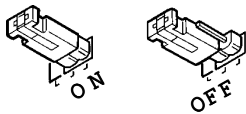
WIRE GAUGE	12V DC	14V DC
AWG 22 ( 0.33mm <sup>2</sup> )	1700' (520m)	3700' (1130m)
AWG 20 ( 0.52mm <sup>2</sup> )	2690' (820m)	5830' (1780m)
AWG 18 ( 0.83mm <sup>2</sup> )	4290' (1310m)	9350' (2850m)

When using two or more units on one wire, the maximum length is obtained by dividing the maximum wire length listed above by the number of units used.



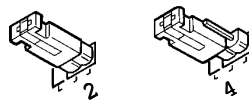
## 5. LED ON/OFF

Use the pin switch for LED ON/OFF.



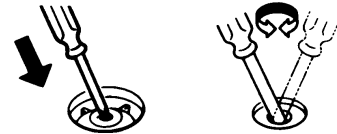
## 6. PULSE COUNT

Use the pin switch for Pulse Count Selection ( 2 or 4 ).



## 7. EASY WIRING KNOCKOUTS

Press firmly with a screwdriver to open. Enlarge the hole according to size of wire.



## 8. TROUBLE SHOOTING AND MAINTENANCE

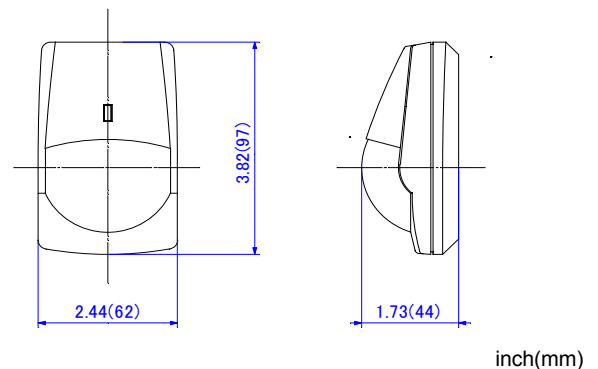
PROBLEM	PROBABLE CAUSE	REMEDY
LED does not light.	Incorrect power supply voltage. (disconnection, low voltage)	Correct the voltage supply to 9.5 - 16V DC.
	Incorrect detection area.	See Section 3.
	Incorrect polarity to detector.	Switch positive and negative at terminal.
	LED switch is OFF.	Turn on the Switch. (See Section 5 )
LED lights even though no person is within area.	Moving object within area. (curtain, wall hanging, etc.)	Remove object from detection area, or change location of detector.
	Rapid temperature changes within area. (heater, air-conditioner, etc.)	Remove the source from area, or change location of detector.
LED lights but signal is not sent.	Relay contact is stuck or damaged due to overloading.	Check load of output.
	Faulty wiring.	The unit needs repair or replacement.
		Wire correctly.

## 9. SPECIFICATIONS

MODEL	RX-40QZ
Detection method	Passive Infrared
Coverage	WIDE: 40ft - 40ft (12m - 12m) 85° wide
Detection zones	WIDE: 78 zones
Mounting Height	5 - 8ft (1.5 - 2.4m)
Sensitivity	3.6° F ( 2°C ) at 2ft/sec (0.6m/sec)
Detection speed	1 - 5ft/sec (0.3 - 1.5m/sec)
LED Alarm Indicator	Switchable ON/OFF
Alarm period	Approx. 2.5 sec
Alarm output	N.C. , 28VDC 0.2A max.
Tamper switch	N.C. , Open when cover is removed.
Pulse Count	Approx. 20 sec 2 or 4
Warm up period	Approx. 30 sec
Power input	9.5 - 16V DC
Current draw	8mA (normal), 11mA (max.) at 12VDC
Weight	2.5 oz (70g)
Operating temperature	-4°F - +122°F (-20°C - +50°C)
Environmental humidity	95% max.
RF interference	No Alarm 20V/m

FL-60N (Optional Lens for Long Range Curtain Pattern)	
Coverage	LONG : 60ft - 6ft (18m - 1.8m) Long Range
Detection zones	LONG : 20 zones

### Dimensions



\*Specifications and design are subject to change without prior notice.

### NOTE

This unit is designed to detect movement of an intruder and activate an alarm control panel. Being only a part of a complete system, we can not accept responsibility for any damages or other consequences resulting from an intrusion. This Product conforms to the EMC Directive. 89/336 EEC.



**OPTEX CO., LTD.** (ISO 9001 Certified by LRQA)  
4-7-5 Nionohama Otsu 520 Japan  
TEL +81(77)524-8047 FAX +81(77)522-9022

**OPTEX AMERICA, INC.**  
1644W 205th St. Torrance CA 90501-1510 U.S.A.  
TEL(310)533-1500 FAX(310)533-5910

**OPTEX (EUROPE) LTD.** (ISO 9002 Certified by NOA)  
Clivemont Road Cordwallis Park Maidenhead Berkshire SL6 7BU U.K.  
TEL(01628)31000 FAX(01628)36311