

100A/110A SERIES SPARE PARTS & ACCESSORIES

The following are available as optional extras:

SPARE PARTS

Part Number	Qty Per Pack	Description
220100-501	1	12 V Solenoid Coil
220100-512	1	12 V Weather Resistant Solenoid Coil
220100-502	1	24 V Weather Coil
220100-511	1	24 V Weather Resistant Solenoid Coil
220100-509	1	48 V Solenoid Coil
200100-100	5	100 Series Locking Pins, Spring and Stop Screw
200100-110	5	100 Series Weather Resistant Locking Pins, Spring and Stop Screw
200110-100	5	110 Series Locking Pins, Spring and Stop Screw
200110-110	5	110 Series Weather Resistant Locking Pins, Spring and Stop Screw

ACCESSORIES

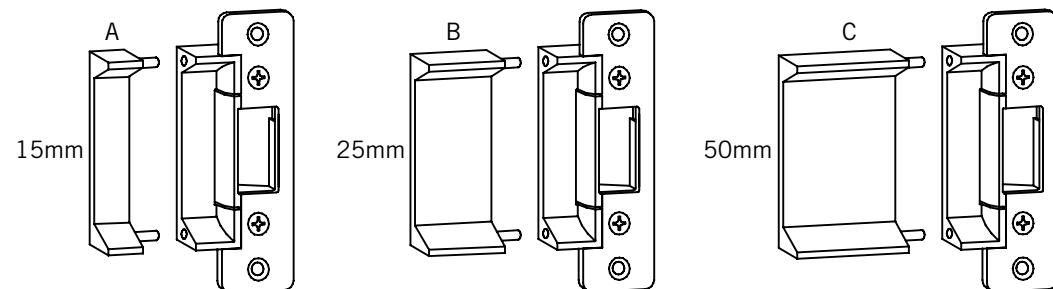
Part Number	Qty Per Pack	Description
220100-506	1	100 Series 15mm Extension Lip *
220110-502	1	110 Series 15mm Extension Lip *
220100-507	1	100 Series 25mm Extension Lip *
220110-503	1	110 Series 25mm Extension Lip *
220100-508	1	100 Series 50mm Extension Lip *
220100-504	1	110 Series 50mm Extension Lip *

* When the use of extension lips is required, the standard model numbers of electric strikes must be suffixed with "X" to denote pre-drilled extension holes (e.g. 110X).

STRIKE FACE PLATES

For a wide range of strike face plates to suit a particular application, please contact your nearest distributor.

15mm extension lip (A),
25mm extension lip (B)
50mm extension lip (C)
available as optional extras.



DA0006, Issue 8: 16th Feb 2007

100A/110A SERIES ELECTRIC STRIKE



INSTALLATION INSTRUCTIONS

DRAWINGS NOT TO SCALE. INFORMATION IN THIS DATASHEET MAY BE CHANGED WITHOUT NOTICE.

IMPORTANT NOTE: Ensure any rebate strips or door stops are fitted before proceeding.
For double-leaf doors, the inactive leaf must be securely fixed in the closed position and a rebate strip fitted to prevent door over-travel.
100 Series strike suitable for 15mm latches, based on a 3mm door gap.
110 Series strike suitable for 18mm latches, based on a 3mm door gap.

1. Mark positions X and Y of door latchbolt on door jamb (see **Fig. 1**).
2. Remove the backing of supplied stick-on template, and apply to door jamb. Ensure the lines "Front face of Lock Latch" on both template and door jamb are aligned (see **Note 1**).
3. Scribe the door jamb according to template outline (see **Fig. 2**).
4. Prepare door jamb as per appropriate installation type; for Metal Jamb refer to **Fig. 3**, for Wood Jamb refer to **Fig. 4**. Install mounting tabs where applicable. (see **Note 2**).
5. Ensure all wiring is correctly connected and not rubbing on sharp edges or interfering with any strike mechanism.
6. Install the strike temporarily in position and check there is no interference between the door, strike and lock face plates, and the extension lip of strike during door closing. Ensure the deadlatching auxiliary bolt does not enter the strike keeper area when door is closed.
7. Check there is no pressure on the strike keeper when door is closed.
8. When all above checks are complete, secure strike with appropriate screws and re-check operation.

NOTE 1 : A 1mm clearance has been designed into the template to prevent the door exerting pressure on the strike when closed.
NOTE 2 : Allow sufficient space between the electric strike unit and jamb cut-out for the wires. Bunching of wires may cause the unit to malfunction.

Fig. 1 - Door Frame Preparation

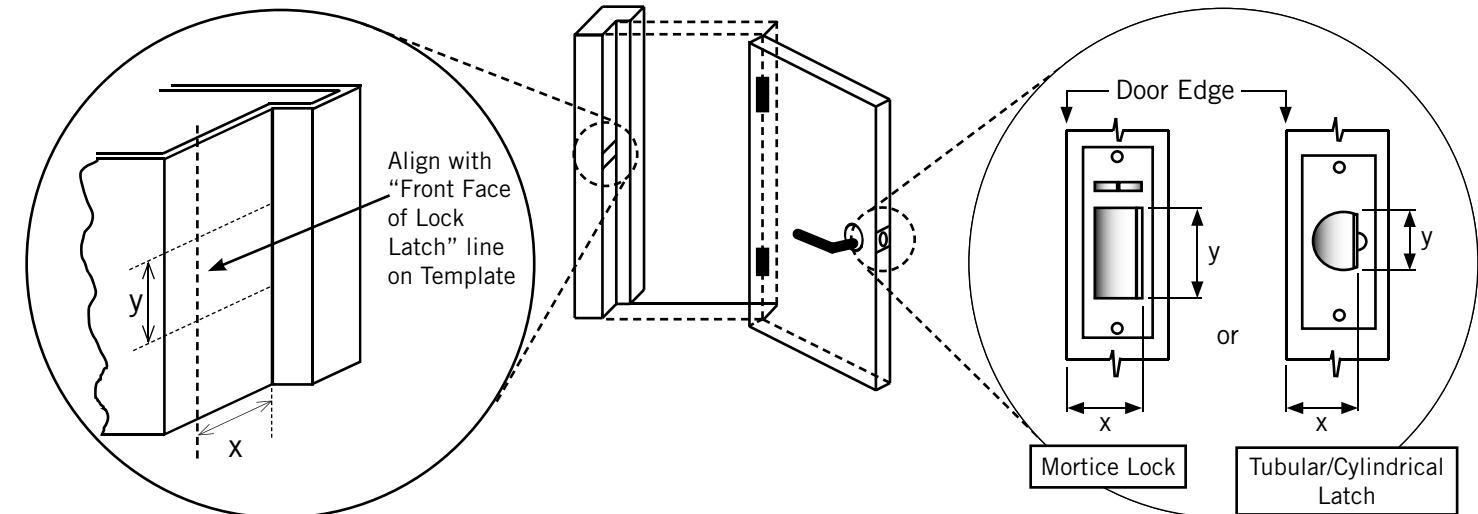
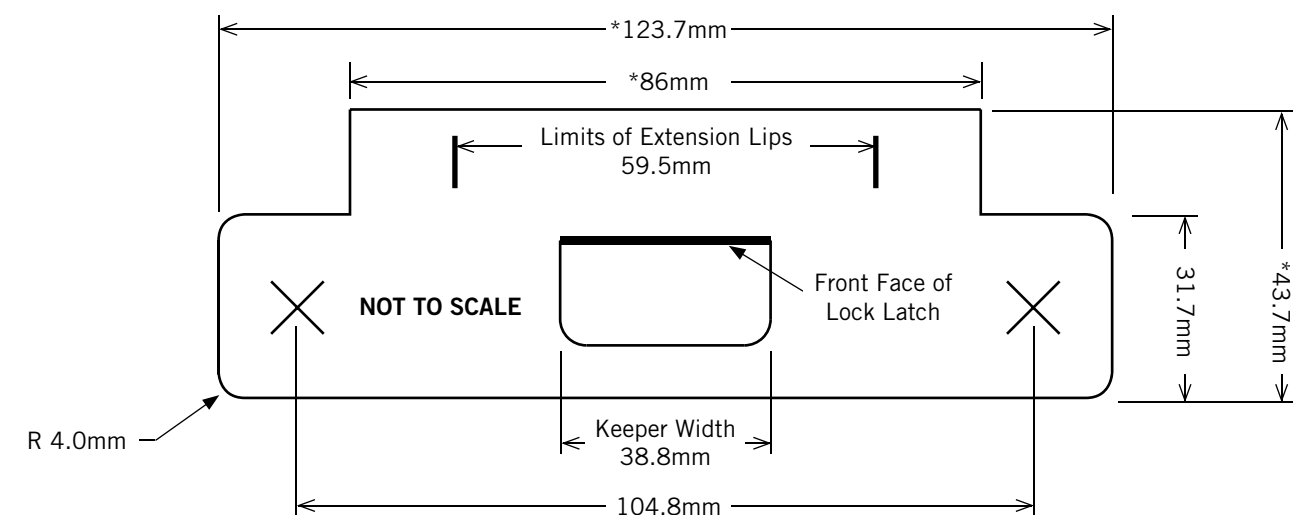


Fig. 2 - 100A/110A Series ANSI Face Plate Type "A" Template Outline



*These dimensions have a tolerance of +0.8mm/-0
Template outline may vary depending on strike face plate used.

Fig. 3 - Metal Jamb Installation

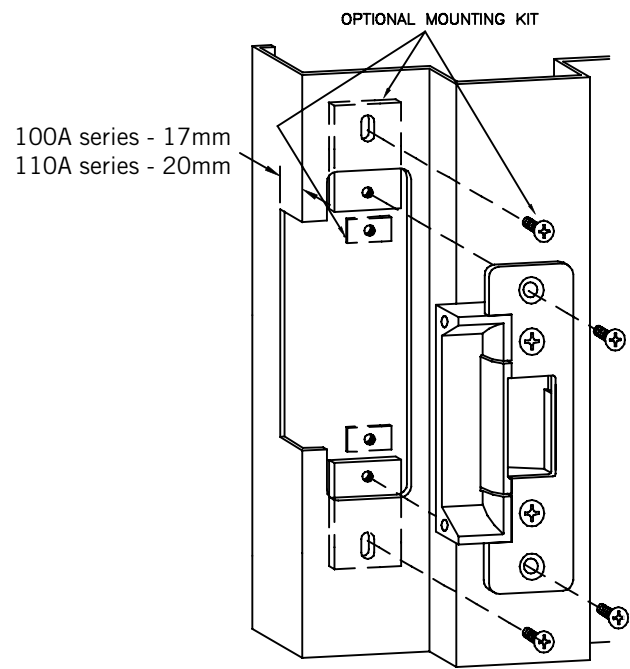
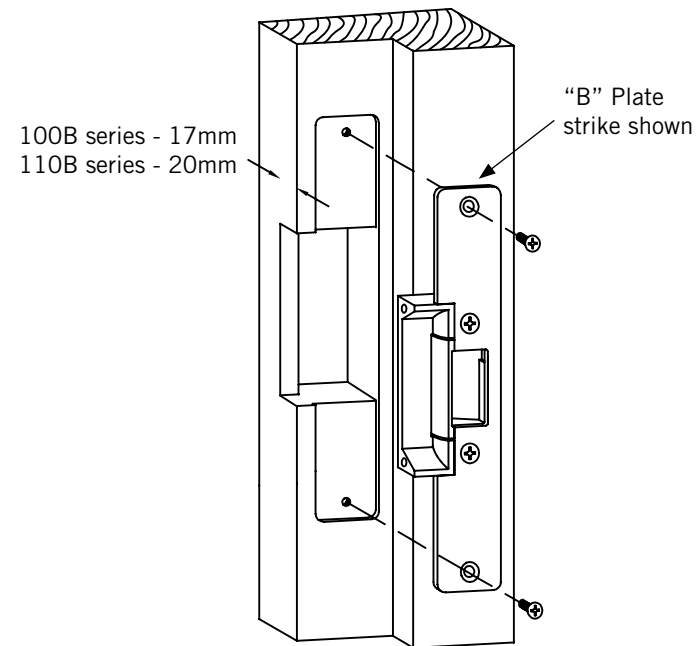


Fig. 4 - Wood Jamb Installation



CHANGING MODE OF LOCK OPERATION

1. To change electric strike's mode of lock operation, remove brass screw from top of strike body.
2. Invert strike and release the spring and 3 locking pins (2 x Short pin, 1 x Long pin).
3. Re-insert pins in the manner shown for the desired mode of lock operation (Power to Open: see **Fig. 5**; Power to Lock: see **Fig. 6**), followed by the spring.
4. Screw in the brass screw to strike body. This will secure the spring and locking pins

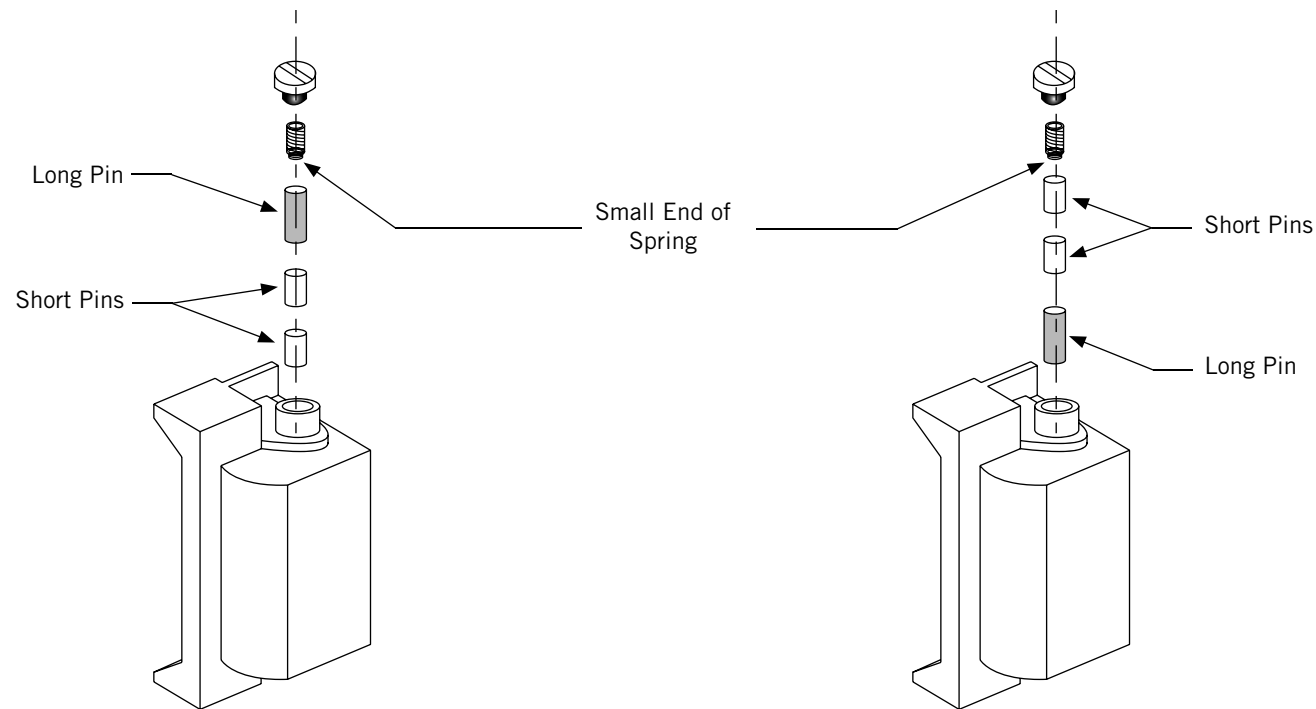


Fig. 5 - Power to Open (Fail-Secure) Configuration

Fig. 6 - Power to Lock (Fail-Safe) Configuration

ELECTRICAL SPECIFICATIONS

Solenoid Leads Colour
Red
Blue

Supply Voltage
12 VDC
24 VDC

Current Draw
250 mA
187 mA

CAUTION! Incorrect supply voltage may cause damage not covered by warranty. Please check supply voltage with a suitable meter to ensure it is within +/- 15% of the nominal voltage shown above with the strike powered.

This product has been designed for use in weather protected areas only. **DO NOT OIL OR LUBRICATE.**

Certification

- AS4145.2 compliant
- BS5872 approved
- CE compliant
- up to 20-minutes fire rating, depending on type of doorset (in accordance with AS1905.1 - 1997, Part 1: Fire-resistant Doorsets)



UL Listing

- Wiring methods and materials shall be in accordance with the National Electric Code, ANSI/NFPA 70 - 1996.
- Unit must be powered by a UL listed limited energy power source.
- Use only those mounting screws and hardware supplied with the product for installation. Do not use substitute installation fasteners or hardware.
- UL listed for burglary resistance category 1034.

Standard UL 1034 Tested and Listed for:

- 1,500 lbs. (680 kg) static strength rating
- 70 foot-lbs. dynamic strength rating
- 250,000 cycles endurance rating



At the request of ASSA ABLOY Australia, this model was tested to the following VOLUNTARY ratings:

- 1,000,000 cycles of operation

5 Year Limited Warranty

ASSA ABLOY Australia guarantees for a period of 5 years in accordance with Trimec's Standard Warranty Conditions, against defects in manufacture, workmanship or materials, provided that all electrical and mechanical installation requirements are adhered to as per this datasheet. All third party and consequential claims are expressly excluded from this warranty.



WARRANTY
TRICARE

ASSA ABLOY Australia
2/16 Atkinson Road
Taren Point 2229
NSW, Australia
www.assaabloyasiapacific.com